

SmartLite® Focus® Pen-Style LED Curing Light

“Pen-Style” LED Polymerisationslampe

Lampe LED à photopolymériser miniaturisée

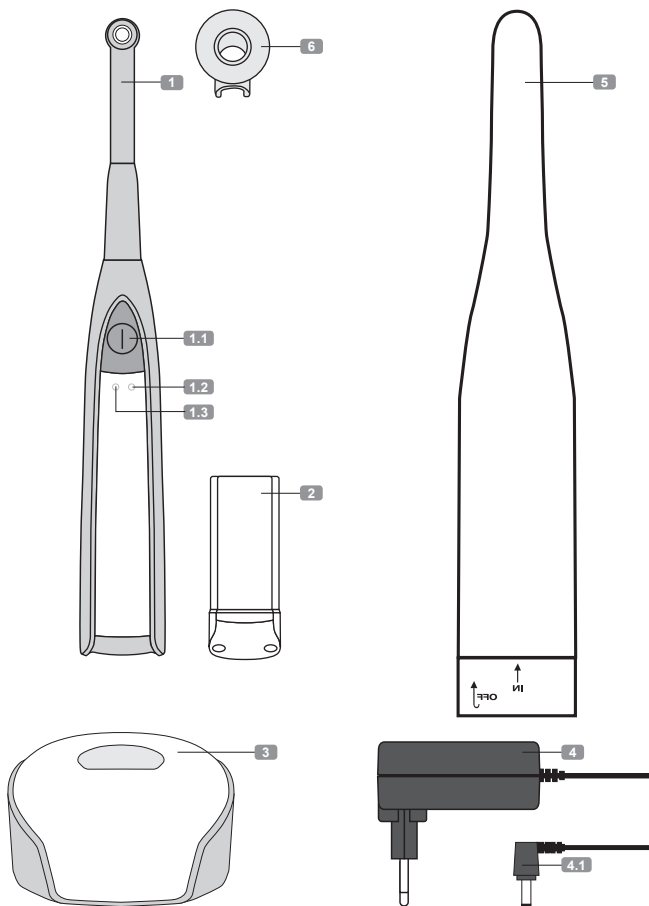
Lampada fotopolimerizzatrice LED modello penna

Lámpara de polimerización de LEDs tipo lápiz

Светодиодная лампа в форме ручки



SmartLite® Focus® curing light

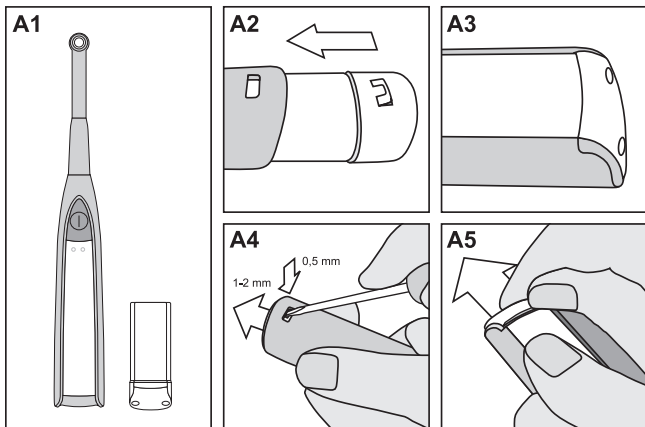


- 1 SmartLite® Focus® curing light
- 1.1 ON/OFF key
- 1.2 and 1.3 Battery lights
- 2 SmartLite® Focus® battery pack
- 3 SmartLite® Focus® charging base

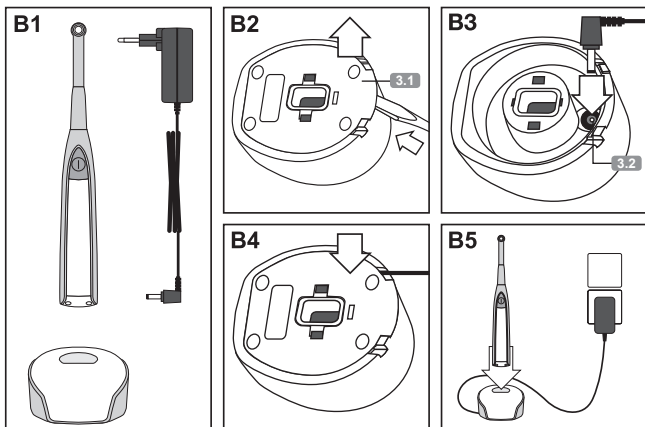
- 4 Power connector incl. adapters
- 4.1 Jack
- 5 SmartLite® Sleeves
- 6 SmartLite® Focus® Shields

SmartLite® Focus® curing light – operation at a glance

Procedure A



Procedure B

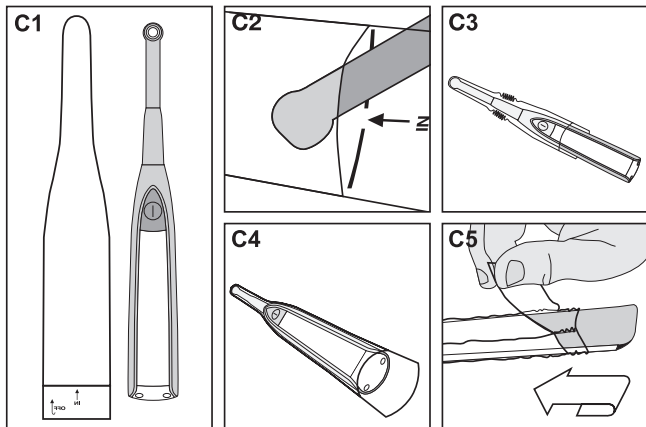


3.1 Floor panel

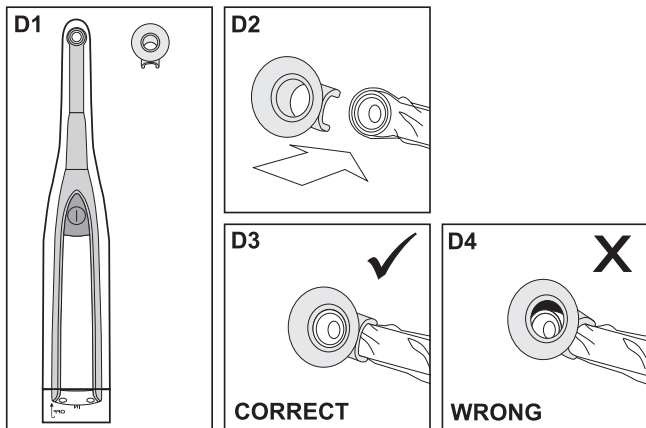
3.2 Charging base socket

SmartLite® Focus® curing light – operation at a glance

Procedure C



Procedure D



Instructions for Use	2
Gebrauchsanweisung	13
Mode d'emploi	24
Istruzioni per l'uso	35
Instrucciones de uso	46
Инструкция по применению	57

SmartLite[®] Focus[®]

Pen-Style LED Curing Light

CAUTION: For dental use only.

USA: Rx only.

Content	Page
1 Product description	2
2 Safety notes	4
3 Step-by-step instructions	6
4 Hygiene	7
5 Maintenance	9
6 Reorder information, technical data, warranty terms	10

1 Product description

The **SmartLite[®] Focus[®]** curing light is a cordless pen-style, LED light polymerization device for use by trained dental professionals in dental offices or dental laboratories.

SmartLite[®] Focus[®] curing light is characterized by:

- Small size and lightweight ergonomic design.
- Compact cordless design with convenient handling features and exchangeable battery pack.
- Smart battery charging mechanism with virtually permanent light operating availability.
- Individually adjustable LED tip, rotatable by 330°.
- LED tip design providing excellent intra-oral access.
- Polymerization area (optic effective cross-sectional area) of minimum 7.5 mm in diameter.
- Up to 20 seconds curing time per activation with audible signal every 10 seconds.
- Advanced heat management system limiting LED tip temperature.

1.1 SmartLite® Focus® curing light **1** – operation at a glance

1.1.1 ON/OFF key **1.1**

- Starts or disrupts the 20-second curing cycle.

1.1.2 Battery light

- **Permanently green **1.2**** (only indicated when SmartLite® Focus® curing light handpiece is inserted into the charging base **3**): SmartLite® Focus® curing light is fully recharged.
- **Flashing green **1.2**** (only indicated when SmartLite® Focus® curing light handpiece is inserted into the charging base **3**): SmartLite® Focus® curing light is in Standard Charging Mode.
- **Fast flashing green **1.2**** (only indicated when SmartLite® Focus® curing light handpiece is inserted into the charging base **3**): SmartLite® Focus® curing light is in Automatic Quick Charging Mode.
- **Flashing yellow **1.3****: SmartLite® Focus® is almost discharged and needs recharging. At first occurrence approximately 1 minute curing time left.
- **Permanently yellow **1.3****: SmartLite® Focus® curing light is fully discharged (no curing time left) and needs recharging.

1.1.3 Audible signals

- **One blip**: At start of curing cycle, after 10 seconds curing time together with flashing blue LED, and when SmartLite® Focus® curing light is fully recharged.
- **Two blips**: After 20 seconds consecutive curing time. Curing light automatically extinguishes after 20 seconds.
- **Repetitive short blip every 7 seconds together with flashing yellow battery light**: Only occurs when device is turned off. Approximately 1 minute operation time left at first occurrence. Device needs recharging.
- **One long blip together with permanent yellow battery light**: Only occurs when device is turned off. Device is fully discharged and needs recharging.

1.2 Indications

- Light-curing of dental materials which cure at a wavelength of 460-490 nm.

1.3 Contraindications

- Use in patients prone to photobiological reactions (including patients with solar urticaria or erythropoietic protoporphyria) or those currently undergoing treatment with photosensitizing pharmaceuticals.

2 Safety notes

Be aware of the following general safety notes and the special safety notes in other chapters of these Instructions for Use.



Safety alert symbol.

- This is the safety alert symbol. It is used to alert you to potential personal injury hazards.
- Obey all safety messages that follow this symbol to avoid possible injury.

2.1 Warnings

Never modify SmartLite® Focus® or any of its equipment. Any modification may compromise safety and effectiveness.

2.1.1 SmartLite® Focus® handpiece 1

- Always make sure SmartLite® Focus® Shields 6 are securely fixed to SmartLite® Focus® to avoid accidental aspiration (press SmartLite® Focus® Shield firmly into correct position; see Procedure D for details).
- Always make sure light aperture is not covered by SmartLite® Focus® Shields (see Figure D3 and Figure D4).
- Do not try to remove LED tip from handpiece as they are permanently connected.
- The LED tip is rotatable by 330°. Do not attempt to fully rotate the LED tip.
- Do not use the device as a tissue retractor, as this may damage the connection between LED tip and handpiece.
- Do not use a damaged device, e.g. if among others the glass cover of the LED tip is scratched, broken or missing.
- The SmartLite® Focus® Shields will wear over time. Exchange defect shield against spare shields included in the package or available as refill (see also [6.1 Accessories]).
- Only authorized technicians should repair the handpiece or battery pack.

2.1.2 Charging base 3

- Low voltages are present inside the charging base (12 V DC). Do not open charging base when connected to power source. Use only under dry conditions. Do not use if the charging base is wet. Avoid short circuit between contact pins inside the charging base. Only authorized technicians should repair the charging base.
- Do not use for voltages different from the range indicated on the charging base.
- Note: Unplug power connector 4 from power source before disconnecting power connector from the charging base.
- Always make sure the charging base is placed offside the dental unit and only touched with clean/disinfected gloves to prevent from exposure to spatter or spray of body fluids.
- Always make sure handpiece is completely reprocessed before inserting it into the charging base.

2.1.3 Battery pack 2



Prevent battery pack from short circuit during use and storage.

2.2 Precautions

This product is intended to be used only as specifically outlined in these Instructions for Use.

Any use of this product inconsistent with these Instructions for Use is at the discretion and sole responsibility of the dental practitioner.

- Anyone with a history of retinopathy should consult their eye specialist before operating this unit. Use the SmartLite® Focus® curing light extremely carefully and comply with all the necessary safety precautions (including wearing suitable, light filtering safety glasses).
- Anyone who has had a cataract operation may be especially sensitive to light and should be advised against undergoing treatment with a SmartLite® Focus® curing light unless adequate safety precautions are taken such as wearing suitable, light filtering safety glasses.
- Do not use a SmartLite® Focus® curing light which has not been properly reprocessed. Protect SmartLite® Focus® curing light from gross contamination by applying the single use SmartLite® Sleeves. SmartLite® Sleeves are intended for single use only. Discard after use. Do not reuse sleeves in other patients in order to prevent cross-contamination.
- For electrical medical devices specific safety precautions apply which have to be observed¹. Do not use mobile phones or other portable communication tools, as they could interfere with the function of the SmartLite® Focus® curing light.
- Never aim the light directly at unprotected soft tissues, as this may cause injury or irritation. Do not aim the light at eyes. Light reflected from the tooth surface may also injure eyes. Use the SmartLite® Focus® Shields supplied with the unit or suitable, light filtering safety glasses².
- Limit the action of the light to the area being treated.
- All dental curing lights cause a certain degree of heat development. Extended operation in areas near the pulp and soft tissues may result in severe damage. Do not cure the same tooth surface for more than 20 seconds at a time. If required, polymerize at intermitting intervals of 20 seconds each.
- Use of any accessories other than specified in this Instructions for Use may result in increased emissions or decreased immunity of the SmartLite® Focus® and its components.
- Do not use adjacent to or stacked with other equipment. If adjacent or stacked use is necessary, closely watch SmartLite® Focus® and its components to verify normal operation in this configuration.

¹ For technical details (on electromagnetic emissions and electromagnetic immunity) see: www.dentsply.eu – chapter: IFU/MSDS.

² SmartLite® Focus® is classified as a Risk Group 2 device according to EN 62471.

3 Step-by-step instructions

3.1 Installation and charging (Procedure A and Procedure B)

1. Remove floor panel 3.1 of charging base by lifting floor panel at its back end (see Figure B2).
2. Connect jack 4.1 to charging base socket 3.2 (see Figure B3).
3. Close floor panel (see Figure B4) and plug in power connector 4 .
4. Make sure power socket used for power connector is accessible at all times in case of necessary emergency disconnection.
5. Insert battery pack 2 into SmartLite® Focus® handpiece 1 (see Figure A2 and Figure A3).
SmartLite® Focus® battery pack is pre-charged and ready to use upon purchase.
6. To recharge the battery, insert the handpiece 1 into the charging base 3 (see Figure B5). The battery light will be flashing green, indicating battery is recharging.

The SmartLite® Focus® Automatic Quick Charging Mode allows a minimum of 5 minutes operating time after 10 minutes recharging.

3.2 Operation

1. Protect LED tip from gross contamination by applying the single use SmartLite® Sleeves (see Procedure C).
2. Use the SmartLite® Focus® Shields supplied with the unit in combination with mounted SmartLite® Sleeves or use suitable, light filtering safety glasses (see Procedure D). Always make sure SmartLite® Focus® Shields are securely fixed to SmartLite® Focus® to avoid accidental aspiration (press SmartLite® Focus® Shield firmly into correct position). Always make sure SmartLite® Focus® Shields are properly mounted on SmartLite® Focus® without covering the light aperture (see Figure D3 and Figure D4).
3. Adjust the LED tip: The LED tip is rotatable by 330°, thus the position of light emission may be individually adjusted. The LED tip must be adjusted to an angle that allows optimal curing of the restoration. The LED tip should be positioned **as closely as possible to the restoration**.
4. Polymerization: Briefly press the ON/OFF key [1.1.1 ON/OFF key]. Audible operation signals are described in [1.1.3 Audible signals].
5. To stop curing light before the end of the 20 second cycle, press ON/OFF key at any time. To cure a restorative material that requires a curing time longer than 20 seconds, repeat activation by pressing the ON/OFF key after the end of each 20-second curing cycle (see also [2.2 Precautions]).
6. Curing times for a range of Dentsply Sirona materials are outlined in the Curing Guide provided. When using other products, please refer to respective product's Instructions for Use.

4 Hygiene

4.1 SmartLite® Sleeves **5**

The use of the SmartLite® Sleeves (see **Procedure C**) is a mandatory precautionary measure against gross contamination, but does not substitute reprocessing of the SmartLite® Focus® curing light.

1. Remove SmartLite® Sleeves immediately after use (see **Figure C5**).



Cross-contamination.

Infection.

1. SmartLite® Sleeves are intended for single use only. Do not reuse in order to prevent cross-contamination.
2. Discard in accordance with local regulations.

4.2 SmartLite® Focus® handpiece **1**



Electrical short-circuit or dangerous malfunction.

Injury.

1. Safeguard handpiece against liquid penetration during cleaning and disinfection.
2. Do not try to remove LED tip from handpiece as they are permanently connected.



Cross-contamination.

Infection.

1. Always make sure the handpiece is completely reprocessed before inserting it into the charging base.

NOTICE

Wrong cleaning or disinfection method.

Damage to SmartLite® Focus® curing light.

1. Do not submerge into liquids.
2. Do not clean or disinfect using solutions based on orange oil, acetone or hydrogen peroxide. Do not use the following products: Optim 33 TB, CaviCide1.
3. Removing of the battery pack is not recommended for regular cleaning and disinfection.
4. Start reprocessing within 1 hour after use.

4.2.1 Manual Cleaning

1. Right after use carefully remove sleeve without contaminating device and discard sleeve according to local regulations.
2. Discard examination gloves according to local regulations and disinfect hands with an appropriate bactericidal, virucidal, and fungicidal hand disinfectant solution according to local regulations and use according to disinfectant solution manufacturer's Instructions for Use.
3. Use a new clean pair of examination gloves.

- Clean device with an appropriate pH-neutral, phosphate-free cleaning solution (e.g.: Dr. Schumacher Instru Plus [3%]³) according to local regulations and use according to cleaning solution manufacturer's Instructions for Use.
- Remove cleaning solution residue with a damp cloth. Use tap water to dampen cloth.
- Dry device with a lint-free single-use cloth.
- Pay special attention to device seams and insertions.

4.2.2 Manual Disinfection

- Thoroughly wipe cleaned device [4.2.1 Manual Cleaning] using a single use cloth dampened with an aldehyde- and alkylamine-free, alcohol-based, bactericidal, virucidal, fungicidal disinfectant solution (e.g.: BBraun Meliseptol[®] Rapid³) approved according to local regulations and use according to disinfectant manufacturer's Instructions for Use. Please note [4.2] for wrong cleaning or disinfection method.
- Pay special attention to device seams and insertions.
- After 1 minute remove disinfectant solution residue with a damp cloth. Use deionized water to dampen cloth.
- Dry device with a lint-free single-use cloth.
- Pay special attention to device seams and insertions.

Device can be disinfected for up to 6,000 times.

4.3 SmartLite[®] Focus[®] Shields **6**

NOTICE

Wrong cleaning or disinfection method.

Damage to SmartLite[®] Focus[®] Shields.

- Do not clean or disinfect with highly aggressive agents (e.g. solutions based on orange oil or acetone).
- Start reprocessing within 1 hour after use.

4.3.1 Manual Cleaning

- Discard examination gloves according to local regulations and disinfect hands with an appropriate bactericidal, virucidal, and fungicidal hand disinfectant solution according to local regulations and use according to disinfectant solution manufacturer's Instructions for Use.
- Use a new clean pair of examination gloves.
- Clean device with an appropriate pH-neutral, phosphate-free cleaning solution (e.g.: Dr. Schumacher Instru Plus [3%]³) according to local regulations and use according to cleaning solution manufacturer's Instructions for Use.
- Pay special attention to device seams and insertions.
- Remove cleaning solution residue with a cloth soaked with tap water.
- Dry device with a lint-free single-use cloth.

4.3.2 Manual Disinfection

- Thoroughly wipe cleaned device [4.3.1 Manual Cleaning] using a single use cloth soaked with an aldehyde- and alkylamine-free, alcohol-based, bactericidal, virucidal, fungicidal disinfectant solution (e.g.: BBraun Meliseptol[®] Rapid³) approved according to local regulations and use according to disinfectant manufacturer's Instructions for Use.
- Pay special attention to device seams and insertions.
- After 1 minute remove disinfectant solution residue with a cloth soaked with deionized water.

³ Not a registered trademark of Dentsply Sirona, Inc.

4. Dry device with a lint-free single-use cloth.

SmartLite® Focus® Shields can be disinfected for up to 100 times.

4.3.3 Autoclaving (optional)

The SmartLite® Focus® Shields can also be autoclaved.

1. Steam autoclave SmartLite® Focus® Shields at 134 °C/2 bar = 273 °F/29 psi for 3 minutes 30 seconds.

SmartLite® Focus® Shields can be autoclaved for up to 60 times.

5 Maintenance

5.1 Light output monitoring

1. Make sure that the LED aperture is clean and scratch-free; otherwise light output will be reduced and may be insufficient for proper curing of the material.
2. The light intensity of SmartLite® Focus® should be checked frequently to ensure appropriate curing by using a commercially available radiometer. As radiometers differ greatly, the following procedure is recommended.
3. Upon receipt of SmartLite® Focus® check the light intensity with the radiometer of your choice and record the value. This initial reading is for reference only, and may not represent the actual light intensity.
4. For subsequent monitoring retest the light intensity with the same radiometer that was used for the initial reference and compare it to the reference intensity.
5. If radiometer value drops below reference intensity, light efficiency can be verified using the i•Cure. Place i•Cure on a sheet of paper on a flat surface. Choose i•Cure segment according to step height required (please note that the step height should be twice the curing depth to be confirmed). Fill with composite. Hold SmartLite® Focus® in close proximity to the upper aperture and cure. If the material on the lower aperture has been cured (i.e. cannot be scraped off with a plastic spatula), the curing depth according to ISO 4049:2009 equals half the chosen step height. If i•Cure test is successful, SmartLite® Focus® is ready to use.
6. Do not continue to use SmartLite® Focus® if both light output is below reference intensity and i•Cure test has failed.

5.2 Battery 2

- Battery is equipped with low self discharge technology resulting in a long operating life.
- Battery is pre-charged and ready to use upon purchase. Charging before first use may improve initial operating time but is not mandatory.
- When the battery light flashes **green** 1.2, the battery is charging. Upon complete recharging, the battery light remains permanently green. The battery needs approximately 3 hours to be fully recharged. SmartLite® Focus® has a Smart Recharging Technology. Depending on battery status, SmartLite® Focus® will automatically choose between Automatic Quick Charging Mode (fast flashing green light) and Standard Charging Mode (flashing green light).
- The SmartLite® Focus® Automatic Quick Charging Mode allows a minimum of 5 minutes operating time after 10 minutes recharging.
- When the battery light flashes **yellow (fast)** 1.3, the battery needs to be recharged. At first occurrence approximately 1 minute curing time remain for completion of the treatment. Light output is not reduced during this period. After this period, the device switches off automatically and the battery light remains permanently **yellow** indicating the need to recharge.

- If the battery pack **2** needs to be replaced, release battery pack by gently inserting a screwdriver into the hole at the lower back end of the handpiece. The screwdriver is just needed to unlock the battery pack, please use fingers to completely remove battery pack as shown in **Figure A4** and **Figure A5**. Do not use the screwdriver as a lever, in order to avoid damage to the SmartLite® Focus® handpiece.

6 Reorder information, technical data, warranty terms

6.1 Accessories

Accessory	Reorder no.
SmartLite® Focus® battery pack 2	644.50.021
SmartLite® Sleeves 5	644.50.030
SmartLite® Focus® Shields 6	644.50.040
SmartLite® Focus® power connector incl. adapters 4	644.50.050
SmartLite® Focus® refill (curing light and battery pack) 1	644.50.060
SmartLite® Focus® charging base 3	644.50.070
i•Cure	644.40.054

6.2 Serial number

Handpiece and battery pack have different serial numbers. Handpiece serial number can be found inside the handpiece after battery pack removal. Battery pack serial number is located on battery pack.

The serial number **[SN]** should be quoted in all correspondence, which requires identification of the product.

Serial number format SmartLite® charging base:	SLXX	xxxxx
Serial number format SmartLite® Focus® handpiece:	SFXX	xxxxx
Serial number format SmartLite® Focus® battery pack:	SFBXX	xxxxx

6.3 Specifications and equipment class

Environmental Note



Device and battery disposal:

This device is provided with a nickel metal hydride battery. Device and battery must not be disposed in normal domestic waste. For environmental reasons, please dispose device and battery according to local environmental guidelines or regulations.



AC supply connection: 100 V...240 V / ~ 50 Hz...60 Hz

Power input: Maximum 14 W

Equipment class: Class II equipment

Follow instructions for use:



Protection from ingress of liquids into handpiece:
IPX4

Operation:	Ambient temperature: Between 0 °C and +30 °C (32 °F and 86 °F) Relative humidity: Between 20% and 90%
Storage:	Ambient temperature: Between -10 °C and +35 °C (14 °F and 95 °F)
Transport:	Ambient temperature: Between -10 °C and +50 °C (14 °F and 122 °F)
Battery performance:	<ul style="list-style-type: none"> • Low self-discharge technology results in a long operating life. • Battery is pre-charged and ready to use upon purchase. • Time for battery recharge: Approximately 3 hours. • Automatic Quick Charging Mode: allows a minimum of 5 minutes operating time after 10 minutes recharging.
Battery over current/temperature protection:	Resettable fuse
Light emitting diode:	3 W LED
Average light intensity:	Approximately 1000 mW/cm ² (CureRite™)
Output peak wavelength range:	Between 460 nm and 490 nm (intensity maximum around 475 nm)
Unit handpiece dimensions:	Length: 240 mm Width: 31 mm
Unit weight:	Handpiece with battery pack: 90 grams Charging base with power connector: 200 grams

Complies with the following Directives/Standards:

93/42/EEC	Council Directive 93/42/EEC of 14 June 1993 concerning medical devices amended by directive 2007/47/EC, annex 1
2002/95/EC	Restriction of the use of hazardous substances in electrical and electronic equipment
IEC 60601-1	2005 – Medical Electrical Equipment (General requirements for basic safety and essential performance)
IEC 60601-1-2	2005 – Medical electrical equipment – Part 1-2: General requirements for safety and essential performance – Collateral standard: Electromagnetic compatibility – Requirements and tests
ISO 10650	2015 – Dentistry – Powered polymerization activators
EN 62471	2008 – Photobiological Safety of Lamps and Lamp Systems
IEC 62471	2006 – Photobiological Safety of Lamps and Lamp Systems

The SmartLite® Focus® curing light complies with:



6.4 Warranty terms

Dentsply Sirona grants a 2-year warranty on all components of the SmartLite® Focus® except the battery. The battery is covered by a 1-year warranty. The warranty commences on the date of purchase. Within the warranty period, Dentsply Sirona will eliminate free of charge any defects in the appliance resulting from faults in material or workmanship either by repairing or exchanging parts or exchanging the whole device at Dentsply Sirona's discretion.

Not covered by this warranty: Damage arising from improper use (operation with incorrect current/voltage, unsuitable power point, breakage, cleaning by other than the recommended methods), normal wear and defects which have a negligible effect on the value or operation of the appliance.

This warranty becomes void if repairs are undertaken by unauthorized persons.

This warranty extends to every country where this device is supplied by Dentsply Sirona or its appointed distributor and where no import restrictions or legal regulations hinder or prevent service being given under warranty.

Service under this warranty does not affect the expiration date of the warranty. The warranty on parts or entire devices which are exchanged ends when the warranty on this device expires.

In the event of a claim of this device, return the complete device (charging unit and the LED curing light) together with the invoice to your dealer or send it to your nearest Dentsply Sirona Service Center.

All other claims including those for damages resulting from this warranty are excluded unless our liability is legally mandatory.

© Dentsply Sirona 2017-02-03

[These Instructions for Use are based on Master Version 11]

SmartLite® Focus®

“Pen-Style” LED Polymerisationslampe

WARNHINWEIS: Nur für den zahnmedizinischen Gebrauch.

Inhaltsverzeichnis	Seite
1 Produktbeschreibung	13
2 Sicherheitshinweise	15
3 Arbeitsanleitung Schritt für Schritt	17
4 Hygiene	18
5 Wartung	20
6 Bestellinformation, Technische Daten, Garantiebedingungen	21

1 Produktbeschreibung

Die **SmartLite® Focus®** Polymerisationslampe ist ein kabelloses LED-Lichtpolymerisationsgerät im „Pen-Style“ zur Anwendung durch entsprechend geschultes zahnmedizinisches Fachpersonal in Zahnarztpraxen oder Dentallaboren.

Die **SmartLite® Focus®** Polymerisationslampe zeichnet sich durch die folgenden Leistungsmerkmale aus:

- Klein und ergonomisch bei geringem Gewicht.
- Kompaktes kabelloses Design, einfache Handhabung und austauschbarer Akku.
- Intelligenter Akkulademechanismus sorgt für nahezu permanente Betriebsverfügbarkeit.
- Individuell einstellbarer LED-Aufsatz, um 330° drehbar.
- Hervorragender intraoraler Zugang aufgrund des Designs des LED-Aufsatzes.
- Polymerisationsfläche (optisch effektive Querschnittsfläche) mit mindestens 7,5 mm Durchmesser.
- Bis zu 20-sekündige Aushärtungszeit pro Aktivierung mit einem akustischen Signal alle 10 Sekunden.
- Fortschrittliches Wärmemanagementsystem, das die Temperatur des LED-Aufsatzes begrenzt.

1.1 SmartLite® Focus® Polymerisationslampe **1** – Bedienung auf einen Blick

1.1.1 EIN/AUS Taste **1.1**

- Startet oder unterbricht die 20-sekündige Aushärtungsphase.

1.1.2 Ladezustands-Anzeige

- **Grünes Dauerlicht **1.2**** (nur sichtbar, wenn das Handstück der SmartLite® Focus® Polymerisationslampe in der Ladestation steht **3**). Die SmartLite® Focus® Polymerisationslampe ist vollständig aufgeladen.
- **Grünes Blinken **1.2**** (nur sichtbar, wenn das Handstück der SmartLite® Focus® Polymerisationslampe in der Ladestation steht **3**). Die SmartLite® Focus® Polymerisationslampe befindet sich im Standardlademodus.
- **Schnelles grünes Blinken **1.2**** (nur sichtbar, wenn das Handstück der SmartLite® Focus® Polymerisationslampe in der Ladestation steht **3**). Die SmartLite® Focus® Polymerisationslampe befindet sich im automatischen Schnelllademodus.
- **Gelbes Blinken **1.3**** : SmartLite® Focus® ist fast vollständig entladen und muss wieder aufgeladen werden. Nach dem ersten Auftreten des gelben Blinklichtes beträgt die verbleibende Aushärzeit noch ungefähr eine Minute.
- **Gelbes Dauerlicht **1.3**** : Die SmartLite® Focus® Polymerisationslampe ist vollständig entladen (es steht keine Aushärzeit mehr zur Verfügung) und muss wieder aufgeladen werden.

1.1.3 Akustische Signale

- **Ein Signalton:** Beim Starten des Aushärtezyklus, nach 10 Sekunden Aushärzeit in Kombination mit blinkender LED, und wenn die SmartLite® Focus® vollständig geladen ist.
- **Zwei Signaltöne:** Nach einer ununterbrochenen Aushärzeit von 20 Sekunden. Die Polymerisationslampe erlischt automatisch nach 20 Sekunden.
- **Wiederholter kurzer Signalton alle 7 Sekunden zusammen mit gelb blinkender Batterieanzeige:** Tritt nur auf, wenn das Gerät ausgeschaltet ist. Nach dem ersten Auftreten beträgt die verbleibende Aushärzeit noch ungefähr eine Minute. Das Gerät muss wieder aufgeladen werden.
- **Einmaliger langer Signalton in Kombination mit permanentem gelbem Batterie-Lämpchen:** Tritt nur auf, wenn das Gerät ausgeschaltet ist. Das Gerät ist vollständig entladen und muss wieder aufgeladen werden.

1.2 Indikationen

- Lichthärtung von Dentalmaterialien, die bei einer Wellenlänge von 460-490 nm aushärten.

1.3 Kontraindikationen

- Anwendung bei Patienten, die zu photobiologischen Reaktionen neigen (einschließlich Patienten mit Urticaria solaris oder erythropoetischer Protoporphyrinurie) oder jenen, die sich gerade einer Behandlung mit photosensibilisierenden Medikamenten unterziehen.

2 Sicherheitshinweise

Bitte beachten Sie die folgenden allgemeinen Sicherheitshinweise und die speziellen Sicherheitshinweise in anderen Abschnitten dieser Gebrauchsanweisung.



Sicherheitssymbol.

- Dies ist das Sicherheitssymbol. Es weist auf die Gefahr von Personenschäden hin.
- Um Verletzungen zu vermeiden, alle Sicherheitshinweise, die diesem Symbol folgen, unbedingt beachten!

2.1 Warnhinweise

Die SmartLite® Focus® und ihre Zubehörteile dürfen nicht modifiziert werden. Jegliche Modifikation kann die Sicherheit und Effektivität beeinträchtigen.

2.1.1 SmartLite® Focus® Handstück 1

- Achten Sie stets darauf, dass die SmartLite® Focus® Shields 6 sicher mit der SmartLite® Focus® verbunden sind, um eine versehentliche Aspiration zu verhindern (SmartLite® Focus® Shield fest in die richtige Position drücken; Einzelheiten sind Arbeitsschritt D zu entnehmen).
- Achten Sie stets darauf, dass das Lichtaustrittsfenster nicht vom SmartLite® Focus® Shield verdeckt ist (siehe Abb. D3) und Abb. D4).
- Versuchen Sie nicht, den LED-Aufsatz vom Handstück zu trennen, da sie fest miteinander verbunden sind.
- Der LED-Aufsatz ist um 330° drehbar. Versuchen Sie nicht, den LED-Aufsatz vollständig zu drehen.
- Verwenden Sie das Gerät nicht zum Abhalten von Gewebe, da dies die Verbindung zwischen LED-Aufsatz und Handstück beschädigen kann.
- Verwenden Sie das Gerät nicht, wenn es beschädigt ist, z. B. wenn die Glasabdeckung des LED-Aufsatzes fehlt, zerkratzt oder zerbrochen ist o.ä.
- Die SmartLite® Focus® Shields nutzen sich mit der Zeit ab. Defekte Shields austauschen; Ersatz-Shields liegen bei bzw. sind nachbestellbar (siehe auch [6.1 Zubehöre]).
- Das Handstück und der Akku dürfen nur von autorisierten Technikern repariert werden.

2.1.2 Ladestation 3

- Im Inneren der Ladestation liegen niedrige Spannungen an (12 V Gleichstrom). Die Ladestation nicht öffnen, wenn sie an eine Stromquelle angeschlossen ist. Nur in trockenem Zustand verwenden. Nicht verwenden, wenn die Ladestation feucht ist. Kurzschlüsse zwischen den Kontaktstiften im Inneren der Ladestation vermeiden. Die Ladestation darf nur von autorisierten Technikern repariert werden.
- Nur in dem auf der Ladestation angegebenen Spannungsbereich verwenden.
- Hinweis: Den Netzstecker 4 ziehen, bevor der Netzstecker von der Ladestation getrennt wird.
- Stets darauf achten, dass die Ladestation außerhalb der Dentaleinheit aufgestellt wird und dass sie nur mit sauberen/desinfizierten Handschuhen berührt wird, um sie vor Spritzern und Sprühnebel aus Körperflüssigkeiten zu schützen.
- Stets darauf achten, dass das Handstück vollständig aufbereitet wurde, bevor es in die Ladestation gestellt wird.

2.1.3 Akku 2



Während des Gebrauchs und der Lagerung muss der Akku vor Kurzschlüssen geschützt werden.

2.2 Vorsichtsmaßnahmen

Dieses Produkt sollte ausschließlich entsprechend dieser Gebrauchsanweisung benutzt werden.

Jeglicher Gebrauch unter Nichtbeachtung dieser Gebrauchsanweisung unterliegt der Verantwortung des behandelnden Zahnarztes.

- Patienten, die an einer Retinopathie erkrankt waren oder sind, sollten vor der Behandlung mit diesem Gerät ihren Augenarzt konsultieren. Die SmartLite® Focus® Polymerisationslampe darf nur mit äußerster Sorgfalt und unter Berücksichtigung aller notwendigen Vorsichtsmaßnahmen eingesetzt werden (einschließlich des Tragens einer Schutzbrille mit geeignetem Lichtfilter).
- Personen, bei denen eine Staroperation durchgeführt wurde, sind möglicherweise besonders lichtempfindlich. Von einer Behandlung mit der SmartLite® Focus® Polymerisationslampe sollte dann abgeraten werden, wenn nicht ausreichende Vorsichtsmaßnahmen getroffen werden, wie das Tragen einer Schutzbrille mit geeignetem Lichtfilter.
- Die SmartLite® Focus® Polymerisationslampe nur nach fachgerechter Aufbereitung verwenden. Schützen Sie die SmartLite® Focus® Polymerisationslampe vor grober Verunreinigung durch Anlegen der einmal verwendbaren SmartLite® Sleeves. SmartLite® Sleeves sind nur zum Einmalgebrauch vorgesehen. Nach Gebrauch entsorgen. Die Schutzhüllen nicht bei anderen Patienten wiederverwenden, da es sonst zu Kreuz-Kontaminationen kommen kann.
- Für elektrische Medizinprodukte gelten spezielle Sicherheitsbestimmungen, die eingehalten werden müssen¹. Keine Mobiltelefone oder anderen tragbaren Kommunikationsgeräte in der Nähe verwenden, da sie die Funktion der SmartLite® Focus® Polymerisationslampe beeinträchtigen könnten.
- Den Lichtstrahl niemals direkt auf ungeschütztes Weichgewebe richten, da dies zu Verletzungen oder Reizungen führen kann. Den Lichtstrahl niemals auf Augen richten. Von der Zahnoberfläche reflektiertes Licht kann ebenfalls Augenverletzungen hervorrufen. Verwenden Sie die im Lieferumfang des Geräts enthaltenen SmartLite® Focus® Shields oder eine Schutzbrille mit geeignetem Lichtfilter².
- Beschränken Sie die Lichteinwirkung auf den zu behandelnden Bereich.
- Alle zahnärztlichen Polymerisationslampen verursachen eine gewisse Wärmeentwicklung. Ein längerer Einsatz in Bereichen nahe der Zahnpulpa und des Weichgewebes kann zu einer schweren Schädigung führen. Dieselbe Zahnoberfläche darf nicht länger als jeweils 20 Sekunden am Stück lichtgehärtet werden. Bei Bedarf in intermittierenden Intervallen von jeweils 20 Sekunden polymerisieren.
- Die Verwendung von nicht in dieser Gebrauchsanweisung angegebenen Zubehöerteilen kann zu einer erhöhten Aussendung oder einer reduzierten Störfestigkeit der SmartLite® Focus® Polymerisationslampe und ihrer Komponenten führen.
- Nicht neben oder auf anderen Geräten verwenden. Ist der Betrieb neben oder gestapelt auf anderen Geräten erforderlich, sollten SmartLite® Focus® und ihre Komponenten beobachtet werden, um den ordnungsgemäßen Betrieb in dieser Anordnung zu überprüfen.

¹ Für technische Details (zu elektromagnetischen Emissionen und elektromagnetischer Störfestigkeit) siehe: www.dentsply.eu - Kapitel: IFU/MSDS.

² SmartLite® Focus® wird gemäß EN 62471 als Gerät der Risikogruppe 2 eingestuft.

3 Arbeitsanleitung Schritt für Schritt

3.1 Installation und Aufladen (Arbeitsschritt A und Arbeitsschritt B)

1. Unterseite 3.1 der Ladestation am hinteren Ende anheben und abnehmen (siehe Abb. B2).
2. Den Stecker 4.1 in die Buchse der Ladestation stecken 3.2 (siehe Abb. B3).
3. Die Unterseite schließen (siehe Abb. B4) und den Netzstecker einstecken 4 .
4. Achten sie darauf, dass die für den Netzstecker verwendete Netzsteckdose für den Fall einer notwendigen Nottrennung jederzeit zugänglich ist.
5. Den Akku 2 in das SmartLite® Focus® Handstück einsetzen 1 (siehe Abb. A2 und Abb. A3).
Der SmartLite® Focus® Akku ist bereits vorgeladen und kann nach dem Erwerb sofort eingesetzt werden.
6. Zum Aufladen des Akkus muss das Handstück 1 in die Ladestation gestellt werden 3 (siehe Abb. B5). Wenn die Batterieanzeige grün blinkt, wird der Akku aufgeladen.

Der automatische SmartLite® Focus® Schnelllademodus ermöglicht eine Betriebsdauer von mindestens 5 Minuten nach einer 10-minütigen Aufladung.

3.2 Anwendungsmodus

1. Schützen Sie den LED-Aufsatz mit Hilfe der einmal verwendbaren SmartLite® Sleeve vor groben Verunreinigungen (siehe Arbeitsschritt C).
2. Verwenden Sie die im Lieferumfang des Geräts enthaltenen SmartLite® Focus® Shields in Kombination mit angelegtem SmartLite® Sleeve oder verwenden Sie eine Schutzbrille mit geeignetem Lichtfilter (siehe Arbeitsschritt D). Achten Sie stets darauf, dass die SmartLite® Focus® Shields sicher mit der SmartLite® Focus® verbunden sind, um eine versehentliche Aspiration zu verhindern (SmartLite® Focus® Shield fest in die richtige Position drücken). Stets darauf achten, dass die SmartLite® Focus® Shields ordnungsgemäß an der SmartLite® Focus® befestigt wurden, ohne das Lichtaustrittsfenster zu verdecken (siehe Abb. D3) und Abb. D4).
3. Ausrichten des LED-Aufsatzes: Der LED-Aufsatz ist um 330° drehbar, so dass sich die Ausrichtung des Lichtstrahls individuell einstellen lässt. Der LED-Aufsatz muss in einem Winkel eingestellt werden, der eine optimale Lichthärtung der Restauration ermöglicht. Der LED-Aufsatz sollte **so dicht wie möglich an die Restauration** geführt werden.
4. Polymerisation: Kurz die EIN/AUS-Taste [1.1.1 EIN/AUS Taste] drücken. Die akustischen Signale werden in [1.1.3 Akustische Signale] beschrieben.
5. Um die Polymerisationslampe vor dem Ende des 20-sekündigen Zyklus auszuschalten, kann jederzeit die EIN/AUS-Taste gedrückt werden. Erfordert ein Restaurationsmaterial eine längere Aushärtungszeit als 20 Sekunden, wiederholen Sie den beschriebenen Vorgang durch Drücken der EIN/AUS-Taste nach dem Ende jedes 20-Sekunden-Intervalls (siehe auch [2.2 Vorsichtsmaßnahmen]).
6. Die Aushärtungszeiten für verschiedene Dentsply Sirona-Materialien sind im bereitgestellten „Material Curing Guide“ angegeben. Wenn andere Produkte verwendet werden, ist die entsprechende Gebrauchsanweisung zu beachten.

4 Hygiene

4.1 SmartLite® Sleeves (Schutzhüllen) 5

Die Verwendung der SmartLite® Sleeves (siehe **Arbeitsschritt C**) ist als Vorsichtsmaßnahme gegen grobe Verunreinigungen vorgeschrieben, ersetzt jedoch nicht die Aufbereitung der SmartLite® Focus® Polymerisationslampe.

1. Die SmartLite® Sleeves sofort nach Gebrauch entfernen (siehe **Abb. C5**).



Kreuzkontamination.

Infektion.

1. SmartLite® Sleeves sind nur zum Einmalgebrauch vorgesehen. Nicht wiederverwenden, da es sonst zu Kreuzkontaminationen kommen kann.
2. Gemäß den örtlichen Vorschriften entsorgen.

4.2 SmartLite® Focus® Handstück 1



Elektrischer Kurzschluss oder gefährliche Fehlfunktion.

Verletzungsgefahr.

1. Das Handstück bei der Reinigung und Desinfektion vor dem Eindringen von Flüssigkeiten schützen.
2. Versuchen Sie nicht, den LED-Aufsatz vom Handstück zu trennen, da sie fest miteinander verbunden sind.



Kreuzkontamination.

Infektion.

1. Stets darauf achten, dass das Handstück vollständig aufbereitet wurde, bevor es in die Ladestation gestellt wird.

HINWEIS

Falsche Reinigungs- oder Desinfektionsmethode.

Beschädigung der SmartLite® Focus® Polymerisationslampe.

1. Nicht in Flüssigkeiten eintauchen.
2. Nicht mit Lösungen auf Orangenöl-, Aceton- oder Wasserstoffperoxidbasis reinigen oder desinfizieren. Die folgenden Produkte dürfen nicht verwendet werden: Optim 33 TB, CaviCide1.
3. Die Entfernung des Akkus wird für die reguläre Reinigung und Desinfektion nicht empfohlen.
4. Innerhalb von 1 Stunde nach der Verwendung mit der Aufbereitung beginnen.

4.2.1 Manuelle Reinigung

1. Unmittelbar nach Gebrauch vorsichtig die Schutzhülle entfernen, ohne das Gerät zu verunreinigen, und gemäß den geltenden lokalen Bestimmungen entsorgen.
2. Untersuchungshandschuhe gemäß den geltenden lokalen Bestimmungen entsorgen und die Hände mit einer geeigneten bakteriziden, viruziden und fungiziden Handdesinfektionslösung gemäß den geltenden lokalen Bestimmungen desinfizieren. Die Gebrauchsanweisung des Desinfektionsmittelherstellers beachten.
3. Ein neues, sauberes Paar Untersuchungshandschuhe verwenden.

4. Das Gerät mit einer geeigneten pH-neutralen, phosphatfreien Reinigungslösung (z. B.: Dr. Schumacher Instru Plus [3%]³) gemäß den geltenden lokalen Bestimmungen reinigen. Die Gebrauchsanweisung des Reinigungsmittelherstellers beachten.
5. Rückstände der Reinigungslösung mit einem feuchten Tuch entfernen. Leitungswasser zum Befeuchten des Tuches benutzen.
6. Das Gerät mit einem fusselfreien Einmaltuch trocknen.
7. Besondere Aufmerksamkeit ist den Naht- und Ansatzstellen des Geräts zu widmen.

4.2.2 Manuelle Desinfektion

1. Das gereinigte Gerät gründlich [4.2.1 Manuelle Reinigung] mit einem Einmaltuch abwischen, das mit einer gemäß den geltenden lokalen Bestimmungen zugelassenen aldehyd- und alkylaminfreien, bakteriziden, viruziden und fungiziden Desinfektionslösung auf Alkoholbasis (z. B.: BBraun Meliseptol® Rapid³) angefeuchtet wurde. Die Gebrauchsanweisung des Desinfektionsmittelherstellers beachten. Bitte [4.2] für falsche Reinigungs- oder Desinfektionsmethoden beachten.
2. Besondere Aufmerksamkeit ist den Naht- und Ansatzstellen des Geräts zu widmen.
3. Rückstände der Desinfektionslösung nach einer Minute mit einem feuchten Tuch entfernen. Deionisiertes Wasser zum Befeuchten des Tuches benutzen.
4. Das Gerät mit einem fusselfreien Einmaltuch trocknen.
5. Besondere Aufmerksamkeit ist den Naht- und Ansatzstellen des Geräts zu widmen.

Das Gerät kann bis zu 6.000-mal desinfiziert werden.

4.3 SmartLite® Focus® Shields

HINWEIS

Falsche Reinigungs- oder Desinfektionsmethode.

Beschädigung der SmartLite® Focus® Shields.

1. Nicht mit stark aggressiven Mitteln reinigen oder desinfizieren (z. B.: Lösungen auf Orangenöl- oder Acetonbasis).
2. Innerhalb von 1 Stunde nach der Verwendung mit der Aufbereitung beginnen.

4.3.1 Manuelle Reinigung

1. Untersuchungshandschuhe gemäß den geltenden lokalen Bestimmungen entsorgen und die Hände mit einer geeigneten bakteriziden, viruziden und fungiziden Handdesinfektionslösung gemäß den geltenden lokalen Bestimmungen desinfizieren. Die Gebrauchsanweisung des Desinfektionsmittelherstellers beachten.
2. Ein neues, sauberes Paar Untersuchungshandschuhe verwenden.
3. Das Gerät mit einer geeigneten pH-neutralen, phosphatfreien Reinigungslösung (z. B.: Dr. Schumacher Instru Plus [3%]³) gemäß den geltenden lokalen Bestimmungen reinigen. Die Gebrauchsanweisung des Reinigungsmittelherstellers beachten.
4. Besondere Aufmerksamkeit ist den Naht- und Ansatzstellen des Geräts zu widmen.
5. Rückstände der Reinigungslösung mit einem mit Leitungswasser befeuchteten Tuch entfernen.
6. Das Gerät mit einem fusselfreien Einmaltuch trocknen.

4.3.2 Manuelle Desinfektion

1. Das gereinigte Gerät gründlich [4.3.1 Manuelle Reinigung] mit einem Einmaltuch abwischen, das mit einer gemäß den geltenden lokalen Bestimmungen zugelassenen aldehyd- und alkylaminfreien, bakteriziden, viruziden und fungiziden Instrumentendesinfektionslösung (z. B.: BBraun Meliseptol® Rapid³) auf Alkoholbasis getränkt wurde. Die Gebrauchsanweisung des Desinfektionsmittelherstellers beachten.
2. Besondere Aufmerksamkeit ist den Naht- und Ansatzstellen des Geräts zu widmen.

³ Kein eingetragenes Warenzeichen von Dentsply Sirona, Inc.

3. Rückstände der Desinfektionslösung nach einer Minute mit einem in deionisiertem Wasser getränkten Tuch entfernen.
4. Das Gerät mit einem fusselfreien Einmaltuch trocknen.

SmartLite® Focus® Shields können bis zu 100-mal desinfiziert werden.

4.3.3 Autoklavieren (optional)

Die SmartLite® Focus® Shields können auch autoklaviert werden.

1. SmartLite® Focus® Shields im Autoklaven bei 134 °C/2 bar 3 Minuten und 30 Sekunden lang dampfsterilisieren.

SmartLite® Focus® Shields können bis zu 60-mal autoklaviert werden.

5 Wartung

5.1 Überprüfung der Lichtleistung

1. Stellen Sie sicher, dass das Lichtaustrittsfenster des Lichtkopfes sauber und kratzfrei ist. Eine daraus resultierende Verminderung der Lichtleistung würde die einwandfreie Durchhärtung der Materialien einschränken.
2. Die Lichtintensität der SmartLite® Focus® sollte öfter mit einem handelsüblichen Radiometer überprüft werden, um eine gute Durchhärtung sicherzustellen. Da Radiometer sich erheblich unterscheiden, wird die folgende Vorgehensweise empfohlen.
3. Überprüfen Sie bei Erhalt der SmartLite® Focus® die Lichtintensität mit einem Radiometer Ihrer Wahl und notieren Sie den Wert. Der Ausgangswert dient nur als Referenzwert und entspricht möglicherweise nicht der tatsächlichen Lichtintensität.
4. Kontrollieren Sie bei den folgenden Überprüfungen die Lichtintensität mit dem selben Radiometer, das auch für die Bestimmung des Referenzwertes benutzt wurde, und vergleichen Sie den Wert mit dem Referenzwert.
5. Wenn die Radiometerwerte unterhalb des Referenzwertes liegen, kann die Lichtstärke mit dem i•Cure überprüft werden. i•Cure auf einer ebenen Oberfläche auf ein Blatt Papier legen. Das i•Cure-Segment entsprechend der erforderlichen Stufenhöhe wählen (bitte beachten Sie, dass die Stufenhöhe doppelt so hoch wie die zu bestätigende Aushärtungstiefe sein sollte). Mit Komposit füllen. Die SmartLite® Focus® nahe an die obere Öffnung halten und aushärten. Wenn das Material an der unteren Öffnung ausgehärtet ist (d. h., wenn es mit einem Kunststoffspatel nicht abgekratzt werden kann), beträgt die Aushärtungstiefe gemäß ISO 4049:2009 die Hälfte der gewählten Stufenhöhe. Wenn die SmartLite® Focus® den Test mit dem i•Cure besteht, ist sie einsatzbereit.
6. Verwenden Sie die SmartLite® Focus® nicht, wenn die Lichtabgabe unterhalb des Referenzwertes liegt und der i•Cure-Test nicht bestanden wurde.

5.2 Batterie 2

- Der Akku zeichnet sich aufgrund seiner geringen Selbstentladung durch eine lange Betriebsdauer aus.
- Der Akku ist bereits vorgeladen und kann nach dem Erwerb sofort eingesetzt werden. Die Aufladung vor dem erstmaligen Gebrauch kann die anfängliche Betriebsdauer verlängern, ist jedoch nicht zwingend erforderlich.
- Wenn die Batterieanzeige **grün** blinkt 1.2, wird der Akku gerade aufgeladen. Nach vollständiger Aufladung zeigt die Batterieanzeige ein grünes Dauerlicht. Zur vollständigen Wiederaufladung des Akkus werden ca. 3 Stunden benötigt. Die SmartLite® Focus® zeichnet sich durch eine intelligente Aufladetechnologie aus. Je nach Akkustatus wählt die SmartLite® Focus® automatisch zwischen dem automatischen Schnelllademodus (schnell blinkende grüne Lampe) und dem Standardauflademodus (blinkende grüne Lampe).

- Der automatische SmartLite® Focus® Schnelllademodus ermöglicht eine Betriebsdauer von mindestens 5 Minuten nach einer 10-minütigen Aufladung.
- Wenn die Batterieanzeige (**schnell**) **gelb** blinkt **1.3**, muss der Akku aufgeladen werden. Nach dem ersten Auftreten beträgt die verbleibende Aushärtezeit zum Beenden der Behandlung noch ungefähr eine Minute. Die Lichtleistung ist während dieser Zeit nicht reduziert. Nach dieser Zeit schaltet sich das Gerät automatisch ab und durch ein dauerhaftes **gelbes** Leuchten der Batterieanzeige wird Ladebedarf angezeigt.
- Wenn der Akku **2** ausgetauscht werden muss, kann der Akku durch vorsichtiges Einführen eines Schraubendrehers in das Loch am unteren hinteren Ende des Handstücks freigegeben werden. Der Schraubendreher wird nur benötigt, um den Akku zu entriegeln. Zur vollständigen Entfernung des Akkus bitte wie in **Abb. A4** und **Abb. A5** die Finger benutzen. Den Schraubendreher nicht als Hebel verwenden, um Schäden am SmartLite® Focus® Handstück zu verhindern.

6 Bestellinformation, Technische Daten, Garantiebedingungen

6.1 Zubehör

Zubehör	Bestellnr.
SmartLite® Focus® Akku 2	644.50.021
SmartLite® Sleeves 5	644.50.030
SmartLite® Focus® Shields 6	644.50.040
SmartLite® Focus® Netzstecker inkl. Adapter 4	644.50.050
SmartLite® Focus® Refill (Polymerisationslampe und Akku) 1	644.50.060
SmartLite® Focus® Ladestation 3	644.50.070
i•Cure	644.40.054

6.2 Seriennummer

Handstück und Akku haben unterschiedliche Seriennummern. Die Seriennummer befindet sich an der Innenseite des Handstücks und kann nach Entfernen des Akkus abgelesen werden. Die Seriennummer des Akkus ist auf dem Akku angegeben.

Zur Identifikation des Produkts muss bei Schriftwechsel die Seriennummer **[SN]** angegeben werden.

Seriennummernformat der SmartLite® Ladestation:	SLXX	xxxxx
Seriennummernformat des SmartLite® Focus® Handstücks:	SFXX	xxxxx
Seriennummernformat des SmartLite® Focus® Akkus:	SFBXX	xxxxx

6.3 Spezifikationen und Geräteklasse

Umwelthinweis



Geräte- und Akku-Entsorgung:

Dieses Gerät wird mit einem Nickel-Metall-Hydrid-Akku ausgeliefert. Das Gerät und der Akku dürfen nicht mit dem normalen Hausmüll entsorgt werden. Aus Umweltschutzgründen müssen das Gerät und der Akku gemäß den geltenden lokalen umweltrechtlichen Bestimmungen entsorgt werden.

Nennspannung und Nennfrequenz: 100 V...240 V / ~ 50 Hz...60 Hz

Nennaufnahme: Maximal 14 W

Schutzklasse: Gerät der Schutzklasse II

Gebrauchsanleitung befolgen:



Schutz gegen Eindringen von Flüssigkeiten in das Handstück:

IPX4

Anwendungsmodus:

Umgebungstemperatur:
Zwischen 0 °C und +30 °C
Relative Luftfeuchtigkeit:
Zwischen 20% und 90%

Lagerbedingungen:

Umgebungstemperatur:
Zwischen -10 °C und +35 °C

Transportbedingungen:

Umgebungstemperatur:
Zwischen -10 °C und +50 °C

Akku:

- Lange Betriebsdauer aufgrund der geringen Selbstentladung.
- Der Akku ist bereits vorgeladen und kann nach dem Erwerb sofort eingesetzt werden.
- Akku-Ladezeit: ca. 3 Stunden.
- Automatischer Schnelllademodus: Ermöglicht eine Betriebsdauer von mindestens 5 Minuten nach einer 10-minütigen Aufladung.

Sicherung des Akkus gegen Kurzschluss/Überhitzung:

Reversible Sicherung/Temperatursicherung

Leuchtdiode:

3 W LED

Mittlere Lichtintensität:

Ca. 1000 mW/cm² (CureRite™)

Wellenlängenbereich der höchsten Leistung:

Zwischen 460 nm und 490 nm
(Intensitätsmaximum bei ungefähr 475 nm)

Abmessungen des Handstücks:

Länge: 240 mm
Breite: 31 mm

Gerätengewicht:

Handstück mit Akku: 90 Gramm
Ladestation mit Netzstecker: 200 Gramm

Erfüllt folgende Richtlinien/Standards:

93/42/EWG	Richtlinie 93/42/EWG des Rates vom 14. Juni 1993 über Medizinprodukte, geändert durch die Richtlinie 2007/47/EG, Anhang 1
2002/95/EG	Beschränkung der Verwendung bestimmter gefährlicher Stoffe in Elektro- und Elektronikgeräten
IEC 60601-1	2005 – Medizinische elektrische Geräte (Allgemeine Festlegungen für die Sicherheit einschließlich der wesentlichen Leistungsmerkmale)
IEC 60601-1-2	2005 – Medizinische elektrische Geräte – Teil 1-2: Allgemeine Festlegungen für die Sicherheit einschließlich der wesentlichen Leistungsmerkmale – Ergänzungsnorm: Elektromagnetische Verträglichkeit – Anforderungen und Prüfungen

ISO 10650	2015 – Zahnheilkunde – Lichtpolymerisationsgeräte
EN 62471	2008 – Photobiologische Sicherheit von Lampen und Lampensystemen
IEC 62471	2006 – Photobiologische Sicherheit von Lampen und Lampensystemen

Die SmartLite® Focus® Polymerisationslampe erfüllt:



6.4 Garantiebedingungen

Dentsply Sirona gibt eine 2-Jahres-Garantie auf alle Komponenten der SmartLite® Focus® ausgenommen des Akkus. Für den Akku wird eine 1-Jahres-Garantie gewährt. Die Garantiezeit beginnt mit dem Kaufdatum. Während der Garantiefrist entstandene Schäden, infolge fehlerhafter Materialien oder Verarbeitung, werden von Dentsply Sirona kostenlos behoben. Dies erfolgt nach dem Ermessen von Dentsply Sirona entweder durch Reparatur oder durch Ersatz der defekten Teile bzw. des gesamten Gerätes.

Nicht eingeschlossen in die Garantie sind Schäden durch unsachgemäßen Gebrauch (z.B. Verwendung bei falscher Spannung, Bruchschaden, Reinigung durch nicht empfohlene Reinigungsmethoden), normale Gebrauchsspuren und Defekte, die einen vernachlässigbaren Einfluss auf den Wert oder die Funktion haben.

Diese Garantie verliert ihre Gültigkeit, wenn Reparaturen oder sonstige Eingriffe von Personen durchgeführt wurden, die nicht autorisiert sind.

Die Garantie gilt in jedem Land, in dem die Lampe durch Dentsply Sirona oder einen Händler ausgeliefert wird und in dem keine Import-Beschränkungen oder Gesetze den von der Garantie verlangten Service be- oder verhindern.

Durch die Erhebung von Garantieansprüchen wird die Garantiefrist nicht verlängert. Die Garantiedauer ausgetauschter Teile oder Geräte ist auf die Garantiedauer des gesamten Gerätes beschränkt.

Im Falle eines Garantieanspruchs das gesamte Gerät (Ladegerät und LED-Polymerisationslampe) zusammen mit der Rechnung an den Händler oder zum nächsten Dentsply Sirona Service Center senden.

Alle anderen Ansprüche einschließlich jener für Schäden, die aus dieser Garantie entstehen, sind ausgeschlossen, sofern kein rechtsgültiger Beschluss über unsere Haftung vorliegt.

SmartLite® Focus®

Lampe LED à photopolymériser miniaturisée

AVERTISSEMENT : Réservé à l'usage dentaire.

Table des matières	Page
1 Description du produit	24
2 Consignes de sécurité	26
3 Instructions étape par étape	28
4 Hygiène	29
5 Entretien	31
6 Références produit, données techniques, conditions de garantie	32

1 Description du produit

La lampe à photopolymériser **SmartLite® Focus®** est un dispositif LED destiné à une utilisation par des professionnels dentaires qualifiés en cabinet dentaire ou laboratoire dentaire.

Caractéristiques de la lampe à photopolymériser **SmartLite® Focus®** :

- Petite taille et conception ergonomique et légère.
- Modèle compact sans fil offrant des spécificités de manipulation pratiques et une batterie échangeable.
- Mécanisme de chargement intelligent de la batterie avec fonctionnement quasi permanent de la lumière.
- Embout LED à réglage personnalisable, rotation sur 330°.
- Embout LED offrant un accès aisé à la cavité buccale.
- Surface de polymérisation (section optique croisée efficace) d'au moins 7,5 mm de diamètre.
- Jusqu'à 20 secondes de temps d'exposition par activation, avec un signal sonore toutes les 10 secondes.
- Système de contrôle de température avancé permettant de limiter la température de l'embout LED.

1.1 Lampe à photopolymériser SmartLite® Focus® 1 : fonctionnement en un coup d'œil

1.1.1 Touche ON/OFF 1.1

- Active ou interrompt le cycle d'exposition de 20 secondes.

1.1.2 Batterie. Témoin de fonctionnement.

- **Voyant vert permanent 1.2** (uniquement si la pièce à main de la lampe à photopolymériser SmartLite® Focus® est insérée dans la base de chargement 3) : la lampe à photopolymériser SmartLite® Focus® est complètement rechargée.
- **Voyant vert clignotant 1.2** (uniquement si la pièce à main de la lampe à photopolymériser SmartLite® Focus® est insérée dans la base de chargement 3) : la lampe à photopolymériser SmartLite® Focus® est en mode de chargement normal.
- **Voyant vert clignotant rapidement 1.2** (uniquement si la pièce à main de la lampe à photopolymériser SmartLite® Focus® est insérée dans la base de chargement 3) : la lampe à photopolymériser SmartLite® Focus® est en mode de chargement rapide automatique.
- **Voyant jaune clignotant 1.3** : la lampe à photopolymériser SmartLite® Focus® est presque déchargée et a besoin d'être rechargée. A la première apparition du voyant, il reste environ 1 minute de temps de polymérisation.
- **Voyant jaune permanent 1.3** : la lampe à photopolymériser SmartLite® Focus® est complètement déchargée (il ne reste plus de temps d'exposition), il faut recharger l'appareil.

1.1.3 Signaux sonores

- **Un bip** : au début du cycle de polymérisation, après 10 secondes de temps de polymérisation avec la lumière bleue des LED et quand la lampe à photopolymériser SmartLite® Focus® est complètement rechargée.
- **Deux bips** : au bout de 20 secondes de temps d'exposition consécutif. La lampe à photopolymériser s'éteint automatiquement au bout de 20 secondes.
- **Bip rapide et répétitif toutes les 7 secondes et voyant de batterie jaune clignotant** : uniquement quand l'appareil est éteint. Il reste approximativement 1 minute de temps opérationnel après la première apparition. Il faut recharger l'appareil.
- **Un long bip associé au voyant jaune permanent** : uniquement quand l'appareil est éteint. L'appareil est complètement déchargé, il faut le recharger.

1.2 Indications

- Polymérisation de matériaux dentaires se polymérisant à une longueur d'onde comprise entre 460 et 490 nm.

1.3 Contre-indications

- Utilisation chez les patients sujets à des réactions photobiologiques (y compris les patients avec de l'urticaire solaire ou souffrant de protoporphyrie érythropoïétique) ou sur ceux qui suivent couramment un traitement avec des produits pharmaceutiques photosensibilisants.

2 Consignes de sécurité

Veillez prendre connaissance des consignes générales de sécurité ainsi que des consignes particulières de sécurité qui figurent dans d'autres chapitres du présent mode d'emploi.



Symbole de sécurité.

- Il s'agit du symbole de sécurité. Il est utilisé pour vous alerter sur les risques potentiels de blessure.
- Respecter tous les messages de sécurité accompagnant ce symbole afin d'éviter d'éventuelles blessures.

2.1 Mises en garde

Ne jamais modifier SmartLite® Focus® ou l'une de ses pièces. Toute modification peut compromettre votre sécurité et son efficacité.

2.1.1 Pièce à main SmartLite® Focus® 1

- Toujours s'assurer que les protections oculaires SmartLite® Focus® 6 sont bien fixées au système SmartLite® Focus® afin d'éviter toute aspiration accidentelle (appuyer fermement sur la protection SmartLite® Focus® afin de la positionner correctement ; cf. Procédure D pour plus de détails).
- Toujours vérifier que l'extrémité lumineuse de l'embout de la lampe n'est pas recouvert par les protections oculaires SmartLite® Focus® (cf. Figure D3 et Figure D4).
- Ne pas essayer d'enlever l'embout LED de la pièce à main car ils sont fixés de façon permanente.
- L'embout LED peut pivoter à 330°. Ne pas essayer de décrire une rotation complète avec l'embout LED.
- Ne pas utiliser l'appareil comme un écarteur labial. Cette utilisation pourrait endommager la connexion entre l'embout LED et la pièce à main.
- Ne pas utiliser un appareil endommagé, exemple : si entre autre le verre de l'embout lumineux LED est rayé, cassé ou manquant.
- Les protections oculaires SmartLite® Focus® s'usent avec le temps. Échanger les protections défectueuses contre les protections neuves incluses dans la boîte ou les commander en tant qu'accessoires (voir aussi [6.1 Accessoires]).
- Seuls des techniciens agréés peuvent réparer la pièce à main ou la batterie.

2.1.2 Base de chargement 3

- De faibles tensions sont présentes dans la base de chargement (12 V DC). Ne pas ouvrir la base de chargement quand elle est branchée à la source d'alimentation. Utiliser uniquement dans un environnement sec. Ne pas utiliser si la base de chargement est mouillée. Éviter les courts-circuits entre les broches de contact situées dans la base de chargement. Seuls des techniciens agréés peuvent réparer la base de chargement.
- Ne pas utiliser avec des voltages ne faisant pas partie du champ indiqué sur la base de chargement.
- Note: Débrancher le connecteur d'alimentation 4 de la source d'alimentation avant de le retirer de la base de chargement.
- Toujours s'assurer que la base de chargement est placée à côté de l'unité dentaire et de ne la toucher qu'avec des gants propres et désinfectés afin d'éviter toute exposition à des projections de fluides corporels.
- Toujours veiller à ce que la pièce à main soit complètement stérilisée avant de l'insérer dans la base de chargement.

2.1.3 Bloc-batterie 2



Protéger le bloc-batterie des court-circuits pendant l'utilisation et le stockage.

2.2 Précautions d'emploi

Ce produit ne doit être utilisé que dans le cadre défini par le mode d'emploi.

Toute utilisation de ce produit en contradiction avec le mode d'emploi est à l'appréciation et sous l'unique responsabilité du praticien.

- Toute personne ayant eu une rétinopathie devra consulter un spécialiste avant d'utiliser cet appareil. Utiliser la lampe à photopolymériser SmartLite® Focus® avec beaucoup de prudence et se conformer à toutes les précautions de sécurité nécessaires (utilisation appropriée de lunettes de sécurité avec verre filtrant la lumière).
- Toute personne ayant eu une opération de la cataracte peut être spécialement sensible à la lumière et devra être informée des risques d'un traitement avec la lampe à photopolymériser SmartLite® Focus® à moins de prendre toutes les précautions de sécurité comme le port de lunettes de sécurité.
- Ne pas utiliser de lampe à photopolymériser SmartLite® Focus® qui n'ait pas été correctement stérilisée. Protéger la lampe à photopolymériser SmartLite® Focus® de toute contamination grave en utilisant les manchons SmartLite®. Les manchons SmartLite® ne sont conçus que pour un usage unique. Jeter après utilisation. Ne pas réutiliser sur d'autres patients afin d'éviter les contaminations croisées.
- Le port d'appareils médicaux électriques implique d'observer certaines précautions de sécurité spécifiques¹. Ne pas utiliser de téléphones mobiles ou autres outils de communications portables qui pourraient interférer avec le fonctionnement de la lampe à photopolymériser SmartLite® Focus®.
- Ne jamais diriger directement le rayon lumineux sur les tissus mous non protégés, cette action pouvant être la cause de blessure et d'irritation. Ne pas diriger le rayon lumineux vers les yeux. La lumière réfléctie par la surface de la dent peut également blesser les yeux. Utiliser les protections oculaires SmartLite® Focus® fournies avec la lampe ou des lunettes de protection adaptées pour filtrer la lumière².
- Limiter l'action du rayon lumineux à la zone devant être traitée.
- Toutes les lampes à photopolymériser dentaires dégagent une certaine chaleur. Une utilisation prolongée sur les zones proches de la pulpe et des tissus mous peut provoquer de graves lésions. Ne pas exposer la même surface dentaire plus de 20 secondes à la fois. Si nécessaire, polymériser à intervalles intermittents de 20 secondes chacun.
- L'utilisation de tout accessoire autre que ceux mentionnés dans ce mode d'emploi peut entraîner une augmentation des émissions ou une diminution de l'immunité de la lampe SmartLite® Focus® et de ses composants.
- Ne pas utiliser à côté d'un autre dispositif ou contre celui-ci. S'il est nécessaire d'utiliser la lampe à côté d'un autre dispositif ou contre celui-ci, surveiller étroitement SmartLite® Focus® et ses composants pour vérifier leur bon fonctionnement dans le cadre de cette configuration de travail.

¹ Les détails techniques (sur les émissions électromagnétiques et l'immunité électromagnétique) sont disponibles sur : www.dentsply.eu – chapitre: IFU/MSDS.

² SmartLite® Focus® est classé dans le groupe de risque 2 conformément à la norme EN 62471.

3 Instructions étape par étape

3.1 Installation et chargement (Procédure A et Procédure B)

1. Retirer le panneau inférieur 3.1 de la base de chargement en le soulevant au niveau de son extrémité arrière (cf. Figure B2).
2. Brancher le connecteur femelle 4.1 dans la prise de la base de chargement 3.2 (cf. Figure B3).
3. Fermer le panneau inférieur (cf. Figure B4) et brancher le connecteur d'alimentation 4 .
4. S'assurer que la prise d'alimentation utilisée pour le connecteur d'alimentation est accessible à tout moment s'il fallait débrancher l'appareil d'urgence.
5. Insérer la batterie 2 dans la pièce à main SmartLite® Focus® 1 (cf. Figure A2 et Figure A3).
La batterie SmartLite® Focus® est préchargée et prête à l'emploi dès l'achat.
6. Pour recharger la batterie, insérer la pièce à main 1 dans la base de chargement 3 (cf. Figure B5). La lumière de la batterie clignotera vert, indiquant que la batterie est en cours de chargement.

Le mode de chargement rapide automatique de SmartLite® Focus® offre au moins 5 minutes de temps de fonctionnement au bout de 10 minutes de chargement.

3.2 Utilisation de l'appareil

1. Protéger l'embout LED de toute contamination grave en utilisant les manchons jetables SmartLite® (cf. Procédure C).
2. Utiliser les protections oculaires SmartLite® Focus® fournies avec l'appareil en association avec les manchons SmartLite® ou utiliser des lunettes de protection adaptées pour filtrer la lumière (cf. Procédure D). Toujours s'assurer que les protections SmartLite® Focus® sont bien fixées au système SmartLite® Focus® afin d'éviter toute aspiration accidentelle (appuyer fermement sur la protection SmartLite® Focus® afin de la positionner correctement). Veiller également à ce que les protections oculaires SmartLite® Focus® soient bien installées sur SmartLite® Focus® et ne recouvrent pas l'extrémité lumineuse de l'embout de la lampe (cf. Figure D3 et Figure D4).
3. Réglage de l'embout LED : L'embout LED peut pivoter sur 330°, ce qui permet de personnaliser la position de l'émission de lumière. Positionner l'embout dans un angle permettant une polymérisation optimale de la restauration. L'embout LED doit être placé **aussi près que possible de la restauration**.
4. Polymérisation : Appuyer brièvement sur le bouton ON/OFF [1.1.1 Touche ON/OFF]. Les signaux sonores de fonctionnement sont décrits dans [1.1.3 Signaux sonores].
5. Pour arrêter la lampe à photopolymériser avant la fin du cycle de 20 secondes, appuyer sur le bouton ON/OFF à tout moment. Pour polymériser un matériau de restauration nécessitant un temps de polymérisation supérieur à 20 secondes, répéter le cycle en pressant sur le bouton ON/OFF après la fin du cycle de 20 secondes précédent (cf. également [2.2 Précautions d'emploi]).
6. Les temps de photopolymérisation de différents matériaux Dentsply Sirona sont disponibles dans le Guide de Photopolymérisation fourni. En cas d'utilisation d'autres produits, consulter le mode d'emploi du produit concerné.

4 Hygiène

4.1 Manchons SmartLite® 5

Le recours aux manchons SmartLite® (cf. **Procédure C**) est une mesure de précaution obligatoire visant à prévenir toute contamination grave, mais ne se substitue pas à la stérilisation de la lampe à photopolymériser SmartLite® Focus®.

1. Enlever les manchons SmartLite® juste après utilisation (cf. **Figure C5**).



Contaminations croisées.

Infection.

1. Les manchons SmartLite® ne sont conçus que pour un usage unique. Ne pas réutiliser afin d'éviter les contaminations croisées.
2. Eliminer conformément aux réglementations locales.

4.2 Pièce à main SmartLite® Focus® 1



Court-circuit électrique ou dysfonctionnement dangereux.

Blessure.

1. Protéger la pièce à main contre la pénétration de liquide lors du nettoyage et de la désinfection.
2. Ne pas essayer d'enlever l'embout LED de la pièce à main car ils fixé de façon permanente et ne font qu'un.



Contaminations croisées.

Infection.

1. Toujours veiller à ce que la pièce à main soit complètement stérilisée avant de l'insérer dans la base de chargement.

AVERTISSEMENT

Méthode de nettoyage et désinfection non conforme.

Dommage sur la lampe à photopolymériser SmartLite® Focus®.

1. Ne pas immerger dans des liquides.
2. Ne pas nettoyer ni désinfecter avec des solutions contenant de l'huile essentielle d'orange, de l'acétone ou du peroxyde d'hydrogène. Ne pas utiliser les produits suivants : Optim 33 TB, CaviCide1.
3. Il n'est pas recommandé de retirer la batterie pour le nettoyage et la désinfection de routine.
4. Procéder à un retraitement dans l'heure suivant l'utilisation.

4.2.1 Nettoyage manuel

1. Juste après utilisation, retirer le manchon avec précaution sans contaminer l'appareil et le jeter conformément à la réglementation locale.
2. Jeter les gants d'examen conformément à la réglementation locale. Désinfecter les mains avec une solution désinfectante pour les mains bactéricide, virucide et fongicide adaptée conformément à la réglementation locale et l'utiliser en respectant le mode d'emploi du fabricant.
3. Utiliser une nouvelle paire de gants d'examen.

4. Nettoyer l'appareil avec une solution de nettoyage à pH neutre, sans phosphate (p. ex.: Dr. Schumacher Instru Plus [3%]³) adaptée conformément à la réglementation locale, et l'utiliser en respectant le mode d'emploi du fabricant.
5. Éliminer les résidus de solution à l'aide d'un chiffon humide. Utiliser l'eau du robinet pour humidifier le chiffon.
6. Sécher l'appareil avec un chiffon non pelucheux à usage unique.
7. Porter une attention particulière aux jonctions et insertions de l'appareil.

4.2.2 Désinfection manuelle

1. Bien essuyer l'appareil nettoyé [4.2.1 Nettoyage manuel] avec un chiffon à usage unique humidifié avec une solution désinfectante sans aldéhyde, sans alkylamine, bactéricide, virucide et fongicide à base d'alcool approuvée par la réglementation locale et utilisée conformément au mode d'emploi du fabricant (p. ex.: BBraun Meliseptol® Rapid³). Se reporter au paragraphe [4.2] Méthode de nettoyage ou de désinfection inappropriée.
2. Porter une attention particulière aux jonctions et insertions de l'appareil.
3. Au bout de 1 minute, éliminer les résidus de solution désinfectante à l'aide d'un chiffon humide. Utiliser l'eau déminéralisée pour humidifier le chiffon.
4. Sécher l'appareil avec un chiffon non pelucheux à usage unique.
5. Porter une attention particulière aux jonctions et insertions de l'appareil.

L'appareil peut être désinfecté jusqu'à 6 000 fois.

4.3 Protections oculaires SmartLite® Focus® 6

AVERTISSEMENT

Méthode de nettoyage et désinfection non conforme.

Domage sur les protections oculaires SmartLite® Focus®.

1. Ne pas nettoyer ou désinfecter avec des agents hautement agressifs (p. ex. : solutions contenant de l'huile essentielle d'orange ou de l'acétone).
2. Procéder à un retraitement dans l'heure suivant l'utilisation.

4.3.1 Nettoyage manuel

1. Jeter les gants d'examen conformément à la réglementation locale. Désinfecter les mains avec une solution désinfectante pour les mains bactéricide, virucide et fongicide adaptée conformément à la réglementation locale et l'utiliser en respectant le mode d'emploi du fabricant.
2. Utiliser une nouvelle paire de gants d'examen.
3. Nettoyer l'appareil avec une solution de nettoyage à pH neutre, sans phosphate (p. ex.: Dr. Schumacher Instru Plus [3%]³) adaptée conformément à la réglementation locale, et l'utiliser en respectant le mode d'emploi du fabricant.
4. Porter une attention particulière aux jonctions et insertions de l'appareil.
5. Éliminer les résidus de solution de nettoyage à l'aide d'un chiffon imbibé d'eau du robinet.
6. Sécher l'appareil avec un chiffon non pelucheux à usage unique.

4.3.2 Désinfection manuelle

1. Bien essuyer l'appareil nettoyé [4.3.1 Nettoyage manuel] avec un chiffon à usage unique imbibé de solution désinfectante sans aldéhyde, sans alkylamine, bactéricide, virucide et fongicide à base d'alcool approuvée par la réglementation locale et utilisée conformément au mode d'emploi du fabricant (p. ex.: BBraun Meliseptol® Rapid³).
2. Porter une attention particulière aux jonctions et insertions de l'appareil.

³ N'est pas une marque déposée de Dentsply Sirona, Inc.

3. Au bout de 1 minute, éliminer les résidus de solution de désinfection à l'aide d'un chiffon imbibé d'eau déminéralisée.
4. Sécher l'appareil avec un chiffon non pelucheux à usage unique.

Les protections SmartLite® Focus® peuvent être désinfectées jusqu'à 100 fois.

4.3.3 Autoclavage (optionnel)

Les protections SmartLite® Focus® peuvent aussi être stérilisées en autoclave.

1. Stériliser les protections SmartLite® Focus® par autoclavage vapeur à 134 °C/2 bars; temps de stérilisation = 3 min 30 s.

Les protections SmartLite® Focus® peuvent être autoclavées jusqu'à 60 fois.

5 Entretien

5.1 Surveillance du débit de lumière

1. S'assurer que l'ouverture LED est propre et exempte de rayures. Le débit de lumière sera sinon réduit et pourrait être insuffisant pour assurer une photopolymérisation correcte du matériau.
2. Afin d'assurer une photopolymérisation correcte, vérifier fréquemment l'intensité lumineuse de SmartLite® Focus® à l'aide d'un radiomètre disponible sur le marché. Comme les radiomètres diffèrent beaucoup les uns des autres, il est recommandé de suivre la procédure suivante.
3. Après avoir reçu la lampe SmartLite® Focus®, vérifier l'intensité lumineuse à l'aide du radiomètre de votre choix et consigner le résultat. Cette première lecture sert de référence uniquement et peut ne pas refléter la véritable intensité lumineuse.
4. Par la suite, tester de nouveau l'intensité lumineuse avec le radiomètre employé pour la référence initiale et comparer le résultat avec l'intensité de référence.
5. Si la valeur indiquée par le radiomètre est située bien en-dessous de l'intensité de référence, l'efficacité lumineuse peut être contrôlée en utilisant le dispositif i-Cure. Positionner le dispositif i-Cure sur une feuille de papier placée sur une surface plane. Choisir le segment i-Cure en fonction de la hauteur nécessaire (à noter : la hauteur de l'échantillon doit être deux fois supérieure à la profondeur de polymérisation pour être confirmée). Remplir de composite. Maintenir le SmartLite® Focus® près de l'ouverture supérieure et polymériser. Si le matériau situé au niveau de l'ouverture inférieure a été polymérisé (c'est-à-dire qu'il ne peut pas être gratté à l'aide d'une spatule en plastique), la profondeur de polymérisation est égale à la moitié de la hauteur d'échantillon choisie, selon la norme ISO 4049:2009. Si le test i-Cure est positif, le SmartLite® Focus® est prêt à l'emploi.
6. Arrêter d'utiliser SmartLite® Focus® si l'intensité lumineuse est inférieure à l'intensité de référence et si le test i-Cure est négatif.

5.2 Batterie **2**

- La batterie utilise une technologie de faible autodéchargement, ce qui offre une longue durée de fonctionnement.
- La batterie est préchargée et prête à l'emploi dès l'achat. Un chargement avant la première utilisation peut améliorer le temps de fonctionnement initial, mais n'est pas obligatoire.
- Lorsque le témoin **vert** **1.2** clignote, la batterie est en charge. Une fois la batterie complètement rechargée, le témoin s'affiche en vert en continu. Il faut environ 3 heures pour recharger complètement la batterie. SmartLite® Focus® est équipé d'une technologie de chargement intelligente. En fonction de l'état de la batterie, SmartLite® Focus® opère automatiquement un choix entre les modes de chargement rapide automatique (voyant vert clignotant rapidement) et normal (voyant vert clignotant).

- Le mode de chargement automatique rapide de SmartLite® Focus® offre au moins 5 minutes de temps de fonctionnement au bout de 10 minutes de chargement.
- Quand le témoin de batterie clignote en **jaune (rapidement)** **1.3**, la batterie a besoin d'être rechargée. A la première apparition, il reste approximativement une minute de temps de polymérisation pour achever le traitement. L'intensité lumineuse reste optimale durant cette période. Après cette période, l'appareil s'éteint automatiquement et le voyant de la batterie reste **jaune** en permanence, ce qui indique la nécessité d'un chargement.
- S'il faut changer la batterie **2**, la dégager en insérant doucement un tournevis dans le trou situé en bas de l'extrémité arrière de la pièce à main. Le tournevis est uniquement requis pour déverrouiller la batterie. Retirer complètement la batterie à la main comme illustré dans la **Figure A4** et **Figure A5**. Ne pas utiliser le tournevis comme levier pour ne pas endommager la pièce à main SmartLite® Focus®.

6 Références produit, données techniques, conditions de garantie

6.1 Accessoires

Accessoire	Référence
Batterie SmartLite® Focus® 2	644.50.021
Manchons SmartLite® 5	644.50.030
Protections oculaires SmartLite® Focus® 6	644.50.040
Connecteur d'alimentation et adaptateurs SmartLite® Focus® 4	644.50.050
SmartLite® Focus® (lampe à photopolymériser et batterie) 1	644.50.060
Base de chargement SmartLite® Focus® 3	644.50.070
iCure	644.40.054

6.2 Numéro de série

La pièce à main et la batterie n'ont pas le même numéro de série. On peut trouver celui de la pièce à main à l'intérieur après avoir retiré la batterie. Le numéro de série de la batterie se trouve dessus.

Le numéro de série **SN** doit être communiqué dans toute correspondance demandant l'identification du produit.

Format du numéro de série de la base de chargement SmartLite® :	SLXX	xxxxx
Format du numéro de série de la pièce à main SmartLite® Focus® :	SFXX	xxxxx
Format du numéro de série de la batterie SmartLite® Focus® :	SFBXX	xxxxx

6.3 Spécifications et classe d'équipement

Note concernant la protection de l'environnement



Mise au rebut de l'appareil et de la batterie :

Cet appareil est fourni avec une batterie nickel métal hybride. L'appareil et la batterie ne doivent pas être jetés avec les ordures ménagères normales. Pour la protection de l'environnement, jeter l'appareil et la batterie en respectant les instructions et les normes locales en vigueur.



Tension : 100 V...240 V / ~ 50 Hz...60 Hz

Puissance d'alimentation : Maximum 14 W

Classification : Appareil de classe II

Suivre les instructions d'utilisation:



Protection contre l'infiltration de liquides dans la pièce à main :

IPX4

Fonctionnement :

Température ambiante : entre 0 °C et +30 °C

Humidité relative : entre 20% et 90%

Stockage :

Température ambiante : entre -10 °C et +35 °C

Transport :

Température ambiante : entre -10 °C et +50 °C

Batterie - Performances :

- La technologie de faible autodéchargement offre une longue durée de fonctionnement.
- La batterie est préchargée et prête à l'emploi dès l'achat.
- Temps de chargement : environ 3 heures.
- Mode de chargement rapide automatique : offre au moins 5 minutes de temps de fonctionnement au bout de 10 minutes de chargement.

Protection de la batterie :

Fusible réinitialisable

Diode électroluminescente :

3 W LED

Puissance lumineuse émise moyenne : Environ 1000 mW/cm² (CureRite™)

Longueur d'onde :

Entre 460 nm et 490 nm

(intensité maximum autour de 475 nm)

Dimensions de la pièce à main :

Longueur : 240 mm

Largeur : 31 mm

Poids :

Pièce à main et batterie : 90 g

Base de chargement et connecteur d'alimentation :

200 g

Est conforme aux directives/standards suivants :

93/42/CEE	Directive du Conseil 93/42/CEE du 14 juin 1993 concernant les appareils médicaux amendée par la directive 2007/47/CE, annexe 1
2002/95/CE	Directive sur la restriction de l'utilisation de certaines substances dangereuses dans les équipements électriques et électroniques (Restriction of the use of certain Hazardous Substances in electrical and electronic equipment ou RoHS)
IEC 60601-1	2005 – Équipement médical électrique (conditions générales de sécurité de base et performance essentielle)
IEC 60601-1-2	2005 – Appareils électromédicaux – Partie 1-2 : exigences générales pour la sécurité de base et les performances essentielles – Norme collatérale : Compatibilité électromagnétique – exigences et essais
ISO 10650	2015 – Art dentaire – Activateurs électriques de polymérisation
EN 62471	2008 – Sécurité photobiologique des lampes et des appareils utilisant des lampes

La lampe à photopolymériser SmartLite® Focus® est conforme à:



6.4 Garantie

Dentsply Sirona accorde une garantie de 2 ans sur tous les composants de la SmartLite® Focus® à l'exception de la batterie. Cette dernière est couverte par une garantie d'un an. La garantie prend effet à la date de l'achat. Pendant la période de garantie Dentsply Sirona répare gratuitement tout défaut de l'appareil dû à un défaut des pièces ou à un vice de fabrication en réparant ou en échangeant les pièces ou en échangeant entièrement l'appareil suivant le choix de Dentsply Sirona.

Cette garantie ne couvre pas : Dommage résultant d'une utilisation incorrecte (fonctionnement avec un courant/voltage incorrect, mauvaise prise de courant, casse, nettoyage avec d'autres méthodes que celles recommandées), usure normale ou défauts qui ont un effet négligeable sur la valeur ou le fonctionnement de l'appareil.

La garantie est annulée de plein droit en cas de réparation ou d'intervention par toute personne non agréée.

Cette garantie s'étend à chaque pays où cet appareil est fourni par Dentsply Sirona ou par ses distributeurs agréés et dans lequel il n'existe pas de restrictions d'importation ou d'obstacles légaux ou d'interdictions de services fournis sous garantie.

La révision pendant la garantie n'affecte pas la date d'expiration de la garantie. La garantie sur les pièces ou sur les appareils complets qui sont échangés se termine quand la garantie de l'appareil expire.

En cas de réclamation sur cet appareil, retourner l'appareil complet (chargeur et embout LED compris) à votre distributeur ou au service après vente Dentsply Sirona le plus proche, accompagné de la facture d'achat.

Toutes autres réclamations y compris celles pour dommages résultant de cette garantie sont exclues sauf si notre responsabilité est légalement reconnue.

SmartLite® Focus®

Lampada fotopolimerizzatrice LED modello penna

ATTENZIONE: Esclusivamente per uso odontoiatrico.

Contenuti	Pagina
1 Descrizione del prodotto	35
2 Note di sicurezza	37
3 Istruzioni step-by-step	39
4 Igiene	40
5 Manutenzione	42
6 Informazioni per il riordino, dati tecnici, termini della garanzia	43

1 Descrizione del prodotto

La lampada **SmartLite® Focus®** è un dispositivo per la fotopolimerizzazione a LED senza fili, a forma di penna, prevista per l'uso in studi odontoiatrici o laboratori dentali da parte di professionisti del dentale adeguatamente formati.

La lampada fotopolimerizzatrice **SmartLite® Focus®** è caratterizzata da:

- Dimensioni e peso ridotti, design ergonomico.
- Design compatto senza fili con caratteristiche di maneggevolezza e batteria intercambiabile.
- Meccanismo di ricarica della batteria intelligente, con disponibilità operativa della lampada virtualmente permanente.
- Puntale luminoso a LED regolabile liberamente con rotazione a 330°.
- Il design del puntale a LED consente un accesso intraorale eccellente.
- Area di polimerizzazione (area ottica effettiva a sezione trasversale) di minimo 7,5 mm di diametro.
- Tempo di polimerizzazione fino a 20 secondi per ciascuna attivazione, con segnale acustico ogni 10 secondi.
- Sistema avanzato di gestione del calore che limita la temperatura del puntale a LED.

1.1 Lampada fotopolimerizzatrice SmartLite® Focus® 1 – Panoramica generale

1.1.1 Tasto ON/OFF 1.1

- Avvia o interrompe il ciclo di polimerizzazione di 20 secondi.

1.1.2 Display della batteria

- **Verde permanente** 1.2 (si accende solo quando il manopolo della lampada SmartLite® Focus® è inserito nella base di ricarica 3): la lampada SmartLite® Focus® è completamente ricaricata.
- **Verde lampeggiante** 1.2 (si accende solo quando il manopolo della lampada SmartLite® Focus® è inserito nella base di ricarica 3): la lampada fotopolimerizzatrice SmartLite® Focus® è in modalità di ricarica Standard.
- **Verde lampeggiante veloce** 1.2 (si accende solo quando il manopolo della lampada SmartLite® Focus® è inserito nella base di ricarica 3): la lampada fotopolimerizzatrice SmartLite® Focus® è in modalità di ricarica Automatica rapida.
- **Giallo lampeggiante** 1.3: la lampada SmartLite® Focus® è quasi scarica e deve essere ricaricata. Dalla prima occorrenza rimane circa 1 minuto di polimerizzazione.
- **Giallo permanente** 1.3: la lampada SmartLite® Focus® è completamente scarica (zero tempo di polimerizzazione rimasto) e deve essere ricaricata.

1.1.3 Segnali acustici

- **Un bip:** all'inizio del ciclo di polimerizzazione, dopo 10 secondi di polimerizzazione insieme al LED blu lampeggiante, e quando la lampada SmartLite® Focus® è completamente ricaricata.
- **Due bip:** dopo 20 secondi consecutivi di polimerizzazione. La lampada si spegne automaticamente dopo 20 secondi.
- **Bip breve ripetuto ogni 7 secondi insieme con luce della batteria gialla lampeggiante:** compare solo quando l'apparecchio è spento. Tempo di funzionamento residuo di circa 1 minuto dalla prima occorrenza. L'apparecchio deve essere ricaricato.
- **Un bip lungo insieme con la luce della batteria fissa gialla:** compare solo quando l'apparecchio è spento. L'apparecchio è completamente scarico e deve essere ricaricato.

1.2 Indicazioni per l'uso

- Fotopolimerizzazione di materiali dentali che polimerizzano ad una lunghezza d'onda di 460-490 nm.

1.3 Controindicazioni

- Utilizzo con pazienti soggetti a reazioni fotobiologiche (inclusi i pazienti con orticaria solare o protoporfiria eritropoietica) o quelli sottoposti a trattamento con farmaci fotosensibili.

2 Note di sicurezza

Leggere attentamente le seguenti note di sicurezza generali e le altre note di sicurezza specifica contenute in queste istruzioni d'uso.



Allarme per la sicurezza.

- Questo è il simbolo che allerta sulla sicurezza. È utilizzato per indicare all'utilizzatore potenziali pericoli per l'incolumità fisica.
- Rispettare tutti le indicazioni di sicurezza che seguono questo simbolo per evitare possibili danni.

2.1 Avvertenze

Non modificare mai la SmartLite® Focus® o qualsiasi suo accessorio. Qualsiasi modifica potrebbe comprometterne la sicurezza e l'efficacia.

2.1.1 Manipolo SmartLite® Focus® 1

- Assicurarsi sempre che gli schermi ottici SmartLite® Focus® 6 siano fissati stabilmente alla SmartLite® Focus® per evitare che vengano accidentalmente aspirati (premere lo schermo ottico SmartLite® Focus® con decisione per inserirlo nella posizione corretta, per i dettagli vedere la **Procedura D**).
- Accertarsi sempre anche che l'apertura di emissione della luce non sia coperta dagli schermi ottici SmartLite® Focus® (vedere **Figura D3** e **Figura D4**).
- Non cercare di staccare il puntale a LED dal manipolo, perché queste parti sono connesse in modo permanente.
- Il puntale a LED può ruotare di 330°. Non tentare di ruotare completamente il puntale a LED.
- Non utilizzare l'apparecchio come un retrattore tissutale: ciò potrebbe danneggiare la connessione fra il puntale a LED e il manipolo.
- Non utilizzare un apparecchio danneggiato, per esempio qualora il vetro del puntale a LED sia graffiato, rotto o manchi.
- Gli schermi ottici SmartLite® Focus® si usurano con il tempo. Sostituire gli schermi danneggiati con gli schermi inclusi nella confezione o con quelli disponibili come ricambio (vedi anche [paragr. 6.1 Accessori]).
- La riparazione del manipolo o della batteria può essere effettuata solo da tecnici autorizzati.

2.1.2 Base di ricarica 3

- Nella base di ricarica sono presenti basse tensioni (12 V DC). Non aprire la base di ricarica quando è collegata ad una fonte di alimentazione. Utilizzare solo in condizioni asciutte. Non utilizzare se la base di ricarica è bagnata. Evitare il corto circuito tra i contatti all'interno della base di ricarica. La riparazione della base di ricarica può essere effettuata solo da tecnici autorizzati.
- Non utilizzare per tensioni elettriche diverse dal range indicato nella base di ricarica.
- Nota: prima di scollegare il connettore di alimentazione dalla base di ricarica, scollegare la spina di alimentazione 4 dalla fonte di alimentazione.
- Accertarsi sempre che la base di ricarica venga toccata solo con guanti puliti o disinfettati e che sia posizionata distante dal riunito, per prevenire l'esposizione a schizzi o spray di fluidi corporei.
- Accertarsi sempre che il manipolo sia completamente pulito e disinfettato prima di inserirlo nella base di ricarica.

2.1.3 Batteria 2



Evitare il corto circuito della batteria durante l'uso e la conservazione.

2.2 Precauzioni

Questo prodotto deve essere utilizzato solo secondo le indicazioni delle Istruzioni d'uso. Qualunque altro utilizzo non conforme alle Istruzioni d'uso è a discrezione e sola responsabilità dell'odontoiatra.

- In caso di retinopatie si dovrebbe consultare il proprio oculista prima di utilizzare l'apparecchio. Usare la lampada fotopolimerizzatrice SmartLite® Focus® con molta attenzione e con tutte le precauzioni necessarie (incluso l'uso di indumenti adatti, e occhiali di sicurezza che filtrino la luce).
- I pazienti che sono stati sottoposti ad un intervento di cataratta potrebbero risultare particolarmente sensibili alla luce e dovrebbero astenersi da eventuali trattamenti con la lampada fotopolimerizzatrice SmartLite® Focus®, a meno che non siano state prese adeguate precauzioni di sicurezza come indossare idonei occhiali che filtrano la luce.
- Non utilizzare la lampada fotopolimerizzatrice SmartLite® Focus® se non è stata adeguatamente pulita e disinfettata. Proteggere la lampada SmartLite® Focus® dalla contaminazione utilizzando le guaine monouso SmartLite®. Le guaine SmartLite® sono dispositivi monouso da eliminare dopo l'uso. Per prevenire una contaminazione incrociata, non riutilizzare le stesse guaine su altri pazienti.
- Per un corretto utilizzo dei dispositivi elettromedicali devono essere osservate alcune precauzioni di sicurezza ¹. Non utilizzare telefoni cellulari o altri dispositivi di comunicazione portatile, in quanto questi possono interferire con il funzionamento della lampada fotopolimerizzatrice SmartLite® Focus®.
- Non puntare mai la luce direttamente su tessuti molli non protetti poiché potrebbe provocare lesioni o irritazioni. Non puntare la luce negli occhi. Anche la luce riflessa dalla superficie del dente può danneggiare gli occhi. Utilizzare gli schermi ottici SmartLite® Focus® contenuti nella confezione o degli adeguati occhiali di sicurezza in grado di filtrare la luce ².
- Limitare l'azione della luce alla zona da trattare.
- Tutte le lampade fotopolimerizzatrici dentali provocano un certo sviluppo di calore. L'uso prolungato in aree vicine alla polpa e al tessuto molle può causare gravi danni. Non irradiare la stessa superficie dentaria per più di 20 secondi alla volta. Se necessario, polimerizzare a intervalli intermittenti di 20 secondi ciascuno.
- L'uso di qualsiasi accessorio diverso da quelli specificati nelle presenti istruzioni per l'uso può causare un aumento di emissioni di radiazioni e una minore immunità della SmartLite® Focus® e dei suoi componenti.
- Non utilizzare vicino o sovrapposta ad altri apparecchi. Qualora sia inevitabile, controllare che la lampada SmartLite® Focus® e i suoi componenti funzionino normalmente.

¹ Per i dettagli tecnici (sulle emissioni elettromagnetiche e le immunità elettromagnetiche) consultare il sito: www.dentsply.eu ai capitoli IFU/MSDS.

² SmartLite® Focus® è un dispositivo classificato nel gruppo di rischio 2 secondo la norma EN 62471.

3 Istruzioni step-by-step

3.1 Installazione e ricarica (Procedura A e Procedura B)

1. Togliere il pannello di fondo 3.1 della base di ricarica sollevandolo dall'estremità posteriore (vedere Figura B2).
2. Inserire il jack 4.1 nella presa della base di ricarica 3.2 (vedere Figura B3).
3. Chiudere il pannello di fondo (vedere Figura B4) e collegare la spina di alimentazione 4 .
4. Assicurarsi che la presa di alimentazione sia accessibile in qualsiasi momento per permettere di scollegare la spina in caso di emergenza.
5. Inserire la batteria 2 nel manipolo SmartLite® Focus® 1 (vedere Figura A2 e Figura A3).
La batteria SmartLite® Focus® è precaricata e pronta all'uso al momento dell'acquisto.
6. Per ricaricare la batteria, inserire il manipolo 1 nella base di ricarica 3 (vedere Figura B5). La luce verde della batteria inizierà a lampeggiare, indicando che la batteria è in ricarica.

La modalità di ricarica Automatica rapida della SmartLite® Focus® consente il funzionamento della lampada per almeno 5 minuti, dopo appena 10 minuti di ricarica.

3.2 Funzionamento

1. Proteggere il puntale a LED dalla contaminazione utilizzando le guaine monouso SmartLite® (vedere Procedura C).
2. Utilizzare gli schermi ottici SmartLite® Focus® forniti con l'apparecchio insieme con le guaine SmartLite® montate o usare adeguati occhiali di sicurezza in grado di filtrare la luce (vedere Procedura D). Assicurarsi sempre che gli schermi ottici SmartLite® Focus® siano fissati con sicurezza alla SmartLite® Focus® per evitare che vengano accidentalmente aspirati (premere lo schermo ottico SmartLite® Focus® con decisione per inserirlo stabilmente nella posizione corretta). Accertarsi sempre che gli schermi ottici SmartLite® Focus® siano montati correttamente sulla SmartLite® Focus® senza coprire l'apertura di emissione della luce (vedere Figura D3 e Figura D4).
3. Regolazione del puntale luminoso: il puntale luminoso può ruotare di 330°, quindi la posizione di emissione della luce può essere regolata liberamente. Il puntale deve essere regolato con un'angolazione tale da consentire una polimerizzazione ottimale del restauro. Il puntale LED deve essere posizionato **il più vicino possibile al restauro**.
4. Polimerizzazione: premere brevemente il tasto ON/OFF [vedi 1.1.1 Tasto ON/OFF]. I segnali acustici sono descritti al punto 1.1.3 Segnali acustici].
5. Per fermare la lampada prima della fine del ciclo di 20 secondi, premere in qualsiasi momento il tasto ON/OFF. Per polimerizzare un materiale da restauro che richiede tempi di esposizione maggiori di 20 secondi, ripetere il ciclo di polimerizzazione premendo il tasto ON/OFF dopo la fine di ogni ciclo di 20 secondi (vedere anche [2.2 Precauzioni]).
6. I tempi di polimerizzazione di alcuni materiali Dentsply Sirona sono indicati nella guida (Curing Guide) allegata. Quando si utilizzano altri prodotti, consultare le istruzioni per l'uso del relativo prodotto.

4 Igiene

4.1 Guaine SmartLite® 5

L'utilizzo delle guaine SmartLite® (vedere **Procedura C**) è una misura precauzionale obbligatoria contro la contaminazione grossolana, ma non sostituisce la pulizia e la disinfezione della lampada SmartLite® Focus®.

1. Rimuovere le guaine SmartLite® immediatamente dopo l'uso (vedere **Figura C5**).



Contaminazione crociata.

Infezione.

1. Le guaine SmartLite® sono accessori monouso. Per prevenire una contaminazione crociata, non riutilizzarle.
2. Gettare secondo la regolamentazione locale.

4.2 Manipolo SmartLite® Focus® 1



Corto-circuito elettrico e malfunzionamento pericoloso.

Danno.

1. Proteggere il manipolo dalla penetrazione di liquido durante la pulizia e la disinfezione.
2. Non cercare di staccare il puntale a LED dal manipolo, perché queste parti sono connesse in modo permanente.



Contaminazione crociata.

Infezione.

1. Accertarsi sempre che il manipolo sia completamente pulito e disinfettato prima di inserirlo nella base di ricarica.

ATTENZIONE

Metodo di pulizia o disinfezione errato.

Danni alla lampada fotopolimerizzatrice SmartLite® Focus®.

1. Non immergere in liquidi.
2. Non pulire con soluzioni disinfettanti a base di olio di arancia, acetone o perossido di idrogeno. Non usare i seguenti prodotti: Optim 33 TB, CaviCide1.
3. Si sconsiglia di rimuovere la batteria per la normale pulizia e disinfezione.
4. Ripulire di nuovo entro 1 ora dall'uso.

4.2.1 Pulizia manuale

1. Subito dopo l'uso togliere la guaina senza contaminare il dispositivo ed eliminarla nel rispetto delle normative locali.
2. Gettare i guanti secondo le normative locali e disinfettare le mani con una appropriata soluzione disinfettante battericida, virucida e fungicida secondo le normative locali e utilizzare secondo le Istruzioni d'uso del del produttore della soluzione di disinfettante.
3. Indossare un nuovo paio di guanti da esame puliti.

4. Pulire il dispositivo con un'adeguata soluzione detergente con pH neutro, priva di fosfati (per es. Dr. Schumacher Instru Plus [3%]³) secondo le normative locali, attenendosi alle istruzioni per l'uso del fabbricante del disinfettante.
5. Eliminare i residui di soluzione detergente con un panno umido. Usare acqua corrente per inumidire il panno.
6. Asciugare il dispositivo con un panno monouso privo di pelucchi.
7. Prestare particolare attenzione ai punti di giuntura e di inserimento del dispositivo.

4.2.2 Disinfezione manuale

1. Disinfettare accuratamente il dispositivo già pulito [4.2.1 Pulizia manuale] servendosi di un panno monouso inumidito con una soluzione disinfettante (per es. BBraun Meliseptol® Rapid³) priva di aldeidi e alchilammina, battericida, virucida, fungicida a base di alcool approvata secondo le normative locali, attenendosi alle istruzioni per l'uso del fabbricante del disinfettante. Prestare attenzione alla nota [4.2] sui metodi di pulizia o disinfezione errati.
2. Prestare particolare attenzione ai punti di giuntura e di inserimento del dispositivo.
3. Dopo 1 minuto eliminare i residui di soluzione disinfettante con un panno umido. Usare acqua deionizzata per inumidire il panno.
4. Asciugare il dispositivo con un panno monouso privo di pelucchi.
5. Prestare particolare attenzione ai punti di giuntura e di inserimento del dispositivo.

Il dispositivo può essere disinfettato fino a 6.000 volte.

4.3 Schermi ottici SmartLite® Focus® 6

ATTENZIONE

Metodo di pulizia o disinfezione errato.

Danni agli schermi ottici SmartLite® Focus®.

1. Non pulire o disinfettare con soluzioni altamente aggressive (per es. soluzioni a base di olio di arancia o acetone).
2. Ripulire di nuovo entro 1 ora dall'uso.

4.3.1 Pulizia manuale

1. Gettare i guanti secondo le normative locali e disinfettare le mani con una appropriata soluzione disinfettante battericida, virucida e fungicida secondo le normative locali e utilizzare secondo le Istruzioni d'uso del del produttore della soluzione di disinfettante.
2. Indossare un nuovo paio di guanti da esame puliti.
3. Pulire il dispositivo con un'adeguata soluzione detergente con pH neutro, priva di fosfati (per es. Dr. Schumacher Instru Plus [3%]³) secondo le normative locali, attenendosi alle istruzioni per l'uso del fabbricante del disinfettante.
4. Prestare particolare attenzione ai punti di giuntura e di inserimento del dispositivo.
5. Eliminare i residui di soluzione detergente con un panno imbevuto d'acqua corrente.
6. Asciugare il dispositivo con un panno monouso privo di pelucchi.

4.3.2 Disinfezione manuale

1. Disinfettare accuratamente il dispositivo già pulito [4.3.1 Pulizia manuale] servendosi di un panno monouso imbevuto di soluzione disinfettante priva di aldeidi e alchilammina, battericida, virucida, fungicida a base di alcool (per es. BBraun Meliseptol® Rapid³) approvata secondo le normative locali, attenendosi alle istruzioni per l'uso del fabbricante del disinfettante per strumenti.
2. Prestare particolare attenzione ai punti di giuntura e di inserimento del dispositivo.

³ Non è un marchio registrato di Dentsply Sirona, Inc.

3. Dopo 1 minuto eliminare i residui di soluzione disinfezione con un panno imbevuto d'acqua deionizzata.
4. Asciugare il dispositivo con un panno monouso privo di pelucchi.

Gli schermi ottici SmartLite® Focus® possono essere disinfettati fino a 100 volte.

4.3.3 Autoclavaggio (opzionale)

Gli schermi ottici SmartLite® Focus® possono essere anche sterilizzati in autoclave.

1. Autoclavare a vapore gli schermi ottici SmartLite® Focus® a 134 °C/2 bar per 3 minuti e 30 secondi.

Gli schermi ottici SmartLite® Focus® possono essere trattati in autoclave fino a 60 volte.

5 Manutenzione

5.1 Monitoraggio dell'intensità luminosa emessa

1. Assicurarsi che la finestra del LED sia pulita e priva di graffiature, altrimenti l'emissione di luce viene ridotta e potrebbe essere insufficiente per una corretta polimerizzazione del materiale.
2. Per garantire un'adeguata polimerizzazione, l'intensità luminosa della SmartLite® Focus® deve essere controllata frequentemente mediante un radiometro disponibile in commercio. Poiché i radiometri differiscono molto tra di loro, si raccomanda di seguire la procedura descritta qui sotto.
3. Alla consegna della SmartLite® Focus® nuova, controllare l'intensità luminosa con il radiometro scelto e registrare il valore. Questa lettura iniziale serve solo come riferimento e potrebbe non rappresentare l'intensità luminosa reale.
4. Per il successivo monitoraggio, testare nuovamente l'intensità luminosa con lo stesso radiometro usato per la misurazione iniziale e confrontarla con l'intensità di riferimento.
5. Se il valore misurato dal radiometro risulta inferiore all'intensità luminosa di riferimento, è possibile verificare l'efficienza luminosa utilizzando l'i•Cure. Posare l'i•Cure su un foglio di carta sopra una superficie piana. Scegliere il segmento di i•Cure in base all'altezza richiesta (attenzione: l'altezza deve essere il doppio della profondità di polimerizzazione da verificare). Riempire con il composito. Tenere la SmartLite® Focus® in stretta vicinanza all'apertura superiore e polimerizzare. Se il materiale sull'apertura inferiore è stato polimerizzato (cioè non è possibile raschiarlo via con una spatola di plastica), la profondità di polimerizzazione secondo la norma ISO 4049:2009 equivale a metà dell'altezza del segmento prescelto. Se il test con i•Cure ha avuto esito positivo, la SmartLite® Focus® è pronta all'uso.
6. Se invece l'intensità luminosa è inferiore al valore di riferimento e anche il test i•Cure ha avuto esito negativo, non continuare ad usare la SmartLite® Focus®.

5.2 Batteria 2

- La batteria è dotata di tecnologia a bassa autoscarica che consente una lunga vita operativa.
- La batteria è precaricata e pronta all'uso al momento dell'acquisto. Caricare la batteria prima del primo utilizzo può migliorare il tempo di funzionamento iniziale, ma non è obbligatorio.
- Quando la luce **verde** della batteria lampeggia 1.2, significa che la batteria è in ricarica. Finita la ricarica, la luce della batteria rimane verde permanente. La batteria necessita di circa 3 ore per essere ricaricata completamente. La SmartLite® Focus® ha una tecnologia di ricarica intelligente. A seconda dello stato della batteria, la SmartLite® Focus® sceglie automaticamente tra modalità di ricarica Automatica rapida (luce verde lampeggiante veloce) e modalità di ricarica Standard (luce verde lampeggiante).

- La modalità di ricarica Automatica rapida della SmartLite® Focus® consente il funzionamento della lampada per almeno 5 minuti, dopo appena 10 minuti di ricarica.
- Quando la luce della batteria lampeggia in colore **giallo (veloce)** **1.3**, la batteria deve essere ricaricata. Dalla prima occorrenza rimane circa 1 minuto di tempo di polimerizzazione per il completamento del trattamento. Emissione e intensità luminosa non sono ridotte durante questo periodo rimanente. Dopo questo periodo il dispositivo si spegne automaticamente e la luce della batteria rimane **gialla** permanentemente, indicando che è necessario ricaricarla.
- Se la batteria **2** deve essere sostituita, toglierla inserendo con delicatezza un cacciavite nel foro che si trova in basso sulla parte posteriore del manipo. Il cacciavite è necessario soltanto per sbloccare la batteria: per rimuovere completamente la batteria usare le dita, come illustrato in **Figura A4** e **Figura A5**. Non usare il cacciavite per fare leva, perchè si potrebbe danneggiare il manipo SmartLite® Focus®.

6 Informazioni per il riordino, dati tecnici, termini della garanzia

6.1 Accessori

Accessorio	N° d'ordine
Batteria SmartLite® Focus® 2	644.50.021
Guaine SmartLite® 5	644.50.030
Schermi ottici SmartLite® Focus® 6	644.50.040
Spina di alimentazione SmartLite® Focus® con adattatori 4	644.50.050
Ricambio SmartLite® Focus® (lampada fotopolimerizzatrice e batteria) 1	644.50.060
Base di ricarica SmartLite® Focus® 3	644.50.070
i•Cure	644.40.054

6.2 Numero di serie

Manipolo e batteria hanno numeri di serie diversi. Il numero di serie del manipo è visibile all'interno del manipo dopo aver rimosso la batteria. Il numero di serie della batteria si trova sulla batteria stessa.

Il numero di serie **[SN]** deve essere sempre specificato in ogni corrispondenza che richiedesse l'identificazione del prodotto.

Formato del numero di serie della base di ricarica SmartLite®:	SLXX	xxxxx
Formato del numero di serie del manipo SmartLite® Focus®:	SFXX	xxxxx
Formato del numero di serie della batteria SmartLite® Focus®:	SFBXX	xxxxx

6.3 Specifiche e dati tecnici dei componenti

Precauzioni ambientali



Smaltimento del dispositivo e della batteria:

Questa lampada è dotata di una batteria al nickel-metallo idruro. Dispositivo e batteria non devono essere gettati nei normali rifiuti domestici. Per ragioni ambientali, si prega di smaltire apparecchio e batteria in base alle normative locali vigenti.

AC Fonte di energia: 100 V...240 V / ~ 50 Hz...60 Hz

Potenza immessa: Massima 14 W

Classe dell'attrezzatura: Apparecchio di Classe II

Seguire le istruzioni per l'uso:



Protezione dall'ingresso di liquidi nel manipolo:

IPX4

Operazione:

Temperatura ambientale: tra 0 °C e +30 °C
Umidità relativa: tra 20% e 90%

Conservazione:

Temperatura ambiente: tra -10 °C e +35 °C

Trasporto:

Temperatura ambiente: tra -10 °C e +50 °C

Prestazione della batteria:

- Tecnologia di bassa autoscarica che consente una lunga vita operativa.
- La batteria è precaricata e pronta all'uso al momento dell'acquisto.
- Tempo di ricarica della batteria: circa 3 ore.
- Modalità di ricarica Automatica rapida: permette un tempo di funzionamento di almeno 5 minuti dopo 10 minuti di ricarica.

Protezione per surriscaldamento della batteria:

Fusibile regolabile

Diodo ad emissione luminosa:

3 W LED

Intensità luminosa media:

Approssimativamente 1000 mW/cm² (CureRite™)

Lunghezza d'onda di emissione:

Tra 460 nm e 490 nm
(intensità massima intorno a 475 nm)

Dimensioni del manipolo:

Lunghezza: 240 mm
Profondità: 31 mm

Peso dell'apparecchio:

Manipolo con batteria: 90 grammi
Base di ricarica con spina di alimentazione:
200 grammi

Conforme alle seguenti direttive/standards:

93/42/CEE	Direttiva 93/42/CEE del Consiglio, del 14 giugno 1993, concernente i dispositivi medici, emendata dalla Direttiva 2007/47/CE, allegato 1
2002/95/CE	Restrizione dell'uso di determinate sostanze pericolose nelle apparecchiature elettriche ed elettroniche
IEC 60601-1	2005- Apparecchi elettromedicali (Norme generali per la sicurezza)
IEC 60601-1-2	2005 – Apparecchi elettromedicali – Parte 1-2: Norme generali per la sicurezza – Norma collaterale: Compatibilità elettromagnetica – Prescrizioni e prove
ISO 10650	2015 – Odontoiatria – Attuatori elettrici di polimerizzazione
EN 62471	2008 – Sicurezza fotobiologica delle lampade e dei sistemi di lampada
IEC 62471	2006 – Sicurezza fotobiologica delle lampade e dei sistemi di lampada

La lampada fotopolimerizzatrice SmartLite® Focus® è conforme a:



6.4 Condizioni di garanzia

Dentsply Sirona concede una garanzia di 2 anni su tutti i componenti della lampada SmartLite® Focus® ad eccezione della batteria. La batteria è coperta da una garanzia di 1 anno. La garanzia decorre dalla data d'acquisto. Durante il periodo di garanzia, Dentsply Sirona coprirà gratuitamente i difetti di fabbricazione e dei materiali impiegati, sia con la riparazione o la sostituzione delle parti danneggiate, sia con la completa sostituzione dell'apparecchio a discrezione di Dentsply Sirona.

La garanzia non copre: danni derivanti da un uso improprio (lavori eseguiti con un errato voltaggio, con una potenza inadeguata, la rottura, la pulizia con metodi diversi da quelli raccomandati), l'usura normale e i difetti che hanno conseguenze irrilevanti sulle prestazioni della lampada.

La garanzia si ritiene nulla o non valida se le riparazioni o altre procedure vengono effettuate da persone non autorizzate.

Questa garanzia si estende a tutti i paesi dove questo apparecchio è commercializzato dalla Dentsply Sirona o dai suoi distributori autorizzati e dove nessuna restrizione per l'importazione o regolazione legale impedisce o previene il servizio che viene offerto sotto garanzia.

L'assistenza sotto garanzia non condiziona il periodo di scadenza della garanzia stessa. La garanzia dell'apparecchio o di sue parti che sono sostituiti termina insieme alla fine del periodo di garanzia.

In caso di reclami per la lampada, consegnare l'intero apparecchio (il carica batteria e l'unità polimerizzante) con la relativa fattura al distributore o al Centro di Assistenza Dentsply Sirona più vicino.

Ulteriori reclami ove non previsti nei requisiti minimi legali per le garanzie saranno respinti.

© Dentsply Sirona 2017-02-03

SmartLite® Focus®

Lámpara de polimerización de LEDs tipo lápiz

ADVERTENCIA: Solo para uso dental.

Contenido	Página
1 Descripción del producto	46
2 Notas de seguridad	48
3 Instrucciones paso a paso	50
4 Higiene	51
5 Mantenimiento	53
6 Información para pedidos, datos técnicos y términos de garantía	54

1 Descripción del producto

La lámpara de polimerización **SmartLite® Focus®** es una lámpara de fotocurado LED sin cables y estilo bolígrafo para ser usada en la consulta o el laboratorio dental por profesionales dentales debidamente formados.

La lámpara de polimerización **SmartLite® Focus®** tiene las siguientes características:

- Tamaño pequeño y diseño ligero y ergonómico.
- Diseño compacto y sin cables fácil de manejar y con bloque de la batería extraíble.
- Mecanismo inteligente de recarga de la batería con disponibilidad de funcionamiento prácticamente permanente.
- Punta de LED ajustable individualmente y con capacidad de rotación de 330°.
- Diseño de la punta de LED para un excelente acceso intraoral.
- Área de polimerización (área efectiva transversal óptica) de 7,5 mm de diámetro como mínimo.
- Tiempo de curación por activación de hasta 20 segundos con señal sonora cada 10 segundos.
- Sistema avanzado de manejo del calor que limita la temperatura de la punta de LED.

1.1 Lámpara de polimerización SmartLite® Focus® 1 – Guía rápida de manejo

1.1.1 Tecla ON/OFF 1.1

- Activa o detiene el ciclo de polimerización de 20 segundos.

1.1.2 Luz de la batería

- **Verde continuamente** 1.2 (Sólo aparece cuando la pieza de mano de la lámpara de polimerización SmartLite® Focus® está colocada en la base de carga 3): La lámpara de polimerización SmartLite® Focus® está completamente recargada.
- **Verde intermitente** 1.2 (Sólo aparece cuando la pieza de mano de la lámpara de polimerización SmartLite® Focus® está colocada en la base de carga 3): La lámpara de polimerización SmartLite® Focus® está en el modo de recarga estándar.
- **Parpadeo rápido en verde** 1.2 (Sólo aparece cuando la pieza de mano de la lámpara de polimerización SmartLite® Focus® está colocada en la base de carga 3): La lámpara de polimerización SmartLite® Focus® está en el modo de recarga rápida automática.
- **Parpadeo en amarillo** 1.3: La lámpara SmartLite® Focus® está casi descargada y necesita volver a cargarse. Cuando la luz amarilla aparece por primera vez, permite aproximadamente 1 minuto de polimerizado.
- **Amarillo continuamente** 1.3: La lámpara de polimerización SmartLite® Focus® está completamente descargada (no queda tiempo para la polimerización) y debe ser recargada.

1.1.3 Señales auditivas

- **Un “bip”**: Al principio del ciclo de polimerizado, después de 10 segundos de tiempo de polimerizado junto a la luz azul LED intermitente, y cuando la luz de la SmartLite® Focus® está completamente cargada.
- **Dos “bips”**: Después de 20 segundos de polimerización continua. La luz se apaga automáticamente después de 20 segundos.
- **“Bip” breve y repetitivo cada 7 segundos con el piloto amarillo de la batería parpadeando**: Sólo sucede cuando el dispositivo está apagado. Aproximadamente 1 minuto de polimerizado después de la primera vez que aparece el punto amarillo luminoso. Es necesario recargar el dispositivo.
- **Un “bip” largo junto a la luz permanente en amarillo, de la batería**: Sólo sucede cuando el dispositivo está apagado. El dispositivo está completamente descargado y se debe recargar.

1.2 Indicaciones

- Fotopolimerización de materiales dentales que polimerizan a una longitud de onda de 460-490 nm.

1.3 Contraindicaciones

- Uso en pacientes propensos a reacciones fotobiológicas (incluyendo pacientes con Urticaria solar o fotorporfiria eritropoyética) o en aquellos pacientes en tratamiento con fármacos fotosensibilizantes.

2 Notas de seguridad

Preste atención a las siguientes normas de seguridad y las que encontrará en otro capítulo de estas Indicaciones de Uso.



Símbolo de Alerta de Seguridad.

- Este es el símbolo de alerta de seguridad. Se utiliza para avisarle de potenciales riesgos de daño personal.
- Obedezca todos los mensajes de seguridad que sigan a este símbolo para evitar posibles daños.

2.1 Advertencias

No realizar cambios en la lámpara SmartLite® Focus® ni en ninguno de sus componentes. Las modificaciones pueden afectar a la seguridad y a la eficacia.

2.1.1 Pieza de mano SmartLite® Focus® 1

- Compruebe siempre que las pantallas SmartLite® Focus® Shields 6 están firmemente montadas en la SmartLite® Focus® para evitar su aspiración accidental (apriete con fuerza la SmartLite® Focus® Shield para ponerla en la posición correcta, consulte más detalles en el Procedimientos D).
- Asegúrese de que la pantalla SmartLite® Focus® Shields no tapa la salida de la luz (véase la Figura D3 y Figura D4).
- No intente separar la punta de LED de la pieza de mano porque no es desmontable.
- La punta de LED puede rotar 330°. No intente girar la punta de LED por completo.
- No utilice el dispositivo como retractor tisular porque la conexión entre la punta de LED y la pieza de mano podría resultar dañada.
- No utilice una unidad dañada, por ejemplo, si el cristal que cubre la punta de LED está arañado, roto o se ha perdido.
- La pantalla SmartLite® Focus® Shields se deteriora con el tiempo. Cambie la pantalla defectuosa por otra nueva incluida en el embalaje o por otra que esté disponible como recambio (véase también [6.1 Accesorios]).
- Sólo los técnicos autorizados pueden reparar la pieza de mano y el bloque de la batería.

2.1.2 Base de carga 3

- Dentro de la base de carga hay voltajes bajos (12 V DC). No abra la base cuando esté conectada a la fuente de alimentación. Utilice la base de carga en lugares secos. No la use si está mojada. Evite los cortocircuitos entre los pines de contacto dentro de la base de carga. Sólo los técnicos autorizados pueden reparar la base.
- No utilice un voltaje diferente al indicado en la base de carga para recargar la unidad.
- Nota: Desenchufe el conector de alimentación 4 de la fuente de alimentación antes de desconectar el conector de alimentación de la base de carga.
- Asegúrese siempre de que la base de carga se coloca fuera del gabinete y que sólo se toca con guantes limpios/desinfectados para evitar su exposición a las salpicaduras y la pulverización de fluidos corporales.
- Compruebe siempre que la pieza de mano ha sido completamente procesada antes de colocarla en la base de carga.

2.1.3 Bloque de la batería 2



Evite que el bloque de la batería sufra un cortocircuito durante el uso y el almacenamiento.

2.2 Precauciones

Este producto está diseñado para ser utilizado según estas indicaciones de uso. Cualquier uso de este producto fuera de las instrucciones de uso será bajo criterio y responsabilidad del profesional.

- Cualquiera con una historia de retinopatía debería consultar con un especialista en oftalmología antes de trabajar con esta unidad. Utilice la lámpara de polimerización SmartLite® Focus® con extremo cuidado y cumpliendo con todas las medidas de seguridad (incluyendo el uso de gafas de seguridad apropiadas que filtren la luz).
- Cualquiera que haya sido sometido a una operación de cataratas puede ser especialmente sensible a la luz y debería ser aconsejado contra el tratamiento con la lámpara de polimerización SmartLite® Focus® a no ser que se tomen las medidas de seguridad adecuadas, como utilizar unas gafas protectoras de seguridad.
- No utilice la lámpara de polimerización SmartLite® Focus® si no ha sido correctamente procesada. Proteja la lámpara SmartLite® Focus® de la contaminación gruesa utilizando las fundas desechables SmartLite® Sleeves. Las fundas SmartLite® Sleeves sólo se pueden usar una vez. Deséchelas después de utilizarlas. No las use en más de un paciente para evitar la contaminación cruzada.
- Para dispositivos médicos eléctricos se deben seguir unas precauciones específicas ¹. No utilice teléfonos móviles ni otros dispositivos portátiles de comunicación, ya que pueden interferir con el funcionamiento de la lámpara de polimerización SmartLite® Focus®.
- Nunca dirija la luz directamente sobre un tejido blando desprotegido, porque podría dañarlo o irritarlo. No dirija la luz hacia los ojos. La luz reflejada en la superficie de los dientes también puede dañar los ojos. Use las pantallas SmartLite® Focus® suministradas con la unidad o unas gafas protectoras adecuadas que filtren la luz ².
- Limite el efecto de la luz al área de tratamiento.
- Todas las lámparas dentales de polimerización dental provocan cierto calor con el tiempo. Un uso prolongado en zonas cercanas a la pulpa y al tejido blando puede provocar lesiones graves. No polimerice una superficie dental durante más de 20 segundos seguidos. En caso necesario, polimerice en intervalos intermitentes de 20 segundos cada uno.
- El empleo de accesorios diferentes a los especificados en estas instrucciones de uso puede incrementar las emisiones o reducir la inmunidad de la lámpara SmartLite® Focus® y de sus componentes.
- No use la lámpara al lado o colocada encima de otro equipo. Si fuese necesaria una configuración de este tipo, observe detenidamente la lámpara SmartLite® Focus® y sus componentes para verificar que funcionan normalmente.

¹ Para detalles técnicos (emisiones electromagnéticas e inmunidad electromagnética) véase: www.dentsply.eu – capítulo: IFU/MSDS.

² SmartLite® Focus® está clasificada en el Grupo de Riesgo 2 conforme a EN 62471.

3 Instrucciones paso a paso

3.1 Instalación y carga (**Procedimientos A** y **Procedimientos B**)

1. Quite la placa de la base **3.1** de la unidad de carga levantándola por su extremo posterior (véase la **Figura B2**).
2. Introduzca el enchufe **4.1** en el conector hembra de la base **3.2** (véase la **Figura B3**).
3. Cierre la placa de la base (véase la **Figura B4**) y enchufe el conector de alimentación **4** .
4. Asegúrese de que es posible acceder en todo momento al conector de alimentación por si fuera necesaria una desconexión de emergencia.
5. Introduzca el bloque de la batería **2** en la pieza de mano SmartLite® Focus® **1** (véase la **Figura A2** y **Figura A3**).
El bloque de la batería SmartLite® Focus® está precargado y listo para usar después de la compra.
6. Para recargar la batería coloque la pieza de mano **1** en la base de carga **3** (véase la **Figura B5**). El piloto de la batería comienza a parpadear en verde indicando que la batería se está recargando.

El modo de recarga rápida automática de SmartLite® Focus® permite utilizar la lámpara durante al menos 5 minutos después de 10 minutos de recarga.

3.2 Operación

1. Proteja la punta de LED de la contaminación gruesa utilizando las fundas desechables SmartLite® Sleeves (véase el **Procedimientos C**).
2. Use la pantalla SmartLite® Focus® Shields suministrada con la unidad en combinación con las fundas SmartLite® Sleeves, o utilice unas gafas protectoras adecuadas que filtren la luz (véase el **Procedimientos D**). Compruebe siempre que las pantallas SmartLite® Focus® Shields están firmemente montadas en la SmartLite® Focus® para evitar su aspiración accidental (apriete con fuerza la SmartLite® Focus® Shield para ponerla en la posición correcta). Asegúrese de que la pantalla SmartLite® FOCUS® Shields está correctamente montada en el SmartLite® Focus® y no tapa la salida de la luz (véase la **Figura D3** y **Figura D4**).
3. Ajuste de la punta de LED: La punta de LED puede rotar 330°, lo que permite el ajuste individual de la posición de la emisión de luz. La punta debe ajustarse en un ángulo que permita la polimerización óptima de la restauración. La punta de LED debe colocarse **lo más cerca posible de la restauración**.
4. Polimerización: Presione brevemente el botón ON/OFF [1.1.1 Tecla ON/OFF]. Las señales sonoras de operación se describen en [1.1.3 Señales auditivas].
5. Para apagar la luz de polimerización antes del final del ciclo de 20 segundos presione el botón ON/OFF cuando lo desee. Para polimerizar un material restaurador que requiere un tiempo de curado superior a los 20 segundos, repita la activación pulsando en botón ON/OFF al final de los 20 segundos de cada ciclo de polimerización (véase también [2.2 Precauciones]).
6. El tiempo de polimerizado para el surtido de materiales Dentsply Sirona esta indicado en la Guía de polimerizado adjunta. Si utiliza otros productos consulte las instrucciones de uso correspondientes.

4 Higiene

4.1 Fundas SmartLite® Sleeves **5**

El uso de las fundas SmartLite® Sleeves (véase el **Procedimientos C**) es una medida preventiva obligatoria para evitar la contaminación gruesa, pero su uso no sustituye al reprocesamiento de la lámpara de polimerización SmartLite® Focus®.

1. Retire las fundas SmartLite® Sleeves inmediatamente después de usarlas (véase la **Figura C5**).

Contaminación cruzada.



Infección.

1. Las fundas SmartLite® Sleeves son desechables. No las reutilice para evitar la contaminación cruzada.
2. Deseche siguiendo las regulaciones locales.

4.2 Pieza de mano SmartLite® Focus® **1**

Corto circuito eléctrico ó mal funcionamiento peligroso.



Lesión.

1. Proteja la pieza de mano contra la penetración de los líquidos durante la limpieza y la desinfección.
2. No intente separar la punta de LED de la pieza de mano porque no es desmontable.

Contaminación cruzada.



Infección.

1. Compruebe siempre que la pieza de mano ha sido completamente procesada antes de colocarla en la base de carga.

NOTA

Método de limpieza o desinfección incorrecto.

Puede dañar la lámpara de polimerización SmartLite® Focus®.

1. No sumerja la lámpara en un líquido.
2. No la limpie ni desinfecte con soluciones a base de aceite de naranja, acetona o peróxido de hidrógeno. No utilice los productos siguientes: Optim 33 TB, CaviCide1.
3. No recomendamos sacar la batería durante la limpieza y la desinfección periódicas.
4. Inicie el reproceso una hora después de su uso.

4.2.1 Limpieza manual

1. Inmediatamente después de usar la lámpara de polimerización quite la funda sin contaminar el dispositivo y deséchela de acuerdo con las regulaciones locales.
2. Deseche los guantes siguiendo las regulaciones locales y desinfecte sus manos con un desinfectante con propiedades bactericidas, virucidas y fungicidas, que cumpla con las regulaciones locales. Siga las instrucciones de uso del fabricante.
3. Utilice un nuevo, limpio par de guantes de exploración.

4. Limpie el dispositivo con una solución de limpieza pH neutro, libre de fosfatos (p. ej. Dr. Schumacher Instru Plus [3%]³) de acuerdo con la normativa local. Utilice la solución de limpieza siguiendo las instrucciones de uso del fabricante.
5. Elimine los restos de la solución de limpieza con un paño húmedo. Use agua del grifo para humedecer el paño.
6. Sequelo el dispositivo con un paño desechable que no suelte pelusa.
7. Ponga especial atención en la limpieza de las juntas y las inserciones del dispositivo.

4.2.2 Desinfección manual

1. Frote bien el dispositivo limpiado [4.2.1 Limpieza manual] con un paño desechable humedecido con una solución desinfectante (p. ej. BBraun Melisepto[®] Rapid³) a base de alcohol, libre de aldehído y de alquilaminas, bactericida, viricida y fungicida aprobada conforme a la normativa local; utilice la solución conforme a las instrucciones de uso del fabricante. Consulte en el apartado [4.2] la información relativa al método de limpieza o desinfección incorrecto.
2. Ponga especial atención en la limpieza de las juntas y las inserciones del dispositivo.
3. Después de 1 minuto elimine los restos de la solución desinfectante con un paño humedecido. Use agua desionizada para humedecer el paño.
4. Sequelo el dispositivo con un paño desechable que no suelte pelusa.
5. Ponga especial atención en la limpieza de las juntas y las inserciones del dispositivo.

El dispositivo se puede desinfectar hasta 6.000 veces.

4.3 Pantallas protectoras SmartLite[®] Focus[®] 6

NOTA

Método de limpieza o desinfección incorrecto.

Puede dañar las pantallas protectoras SmartLite[®] Focus[®].

1. No las limpie ni desinfecte con agentes agresivos (p. ej. soluciones a base de aceite de naranja o acetona).
2. Inicie el reproceso una hora después de su uso.

4.3.1 Limpieza manual

1. Deseche los guantes siguiendo las regulaciones locales y desinfecte sus manos con un desinfectante con propiedades, bactericidas, virucidas y fungicidas, que cumpla con las regulaciones locales. Siga las instrucciones de uso del fabricante.
2. Utilice un nuevo, limpio par de guantes de exploración.
3. Limpie el dispositivo con una solución de limpieza pH neutro, libre de fosfatos (p. ej. Dr. Schumacher Instru Plus [3%]³) de acuerdo con la normativa local. Utilice la solución de limpieza siguiendo las instrucciones de uso del fabricante.
4. Ponga especial atención en la limpieza de las juntas y las inserciones del dispositivo.
5. Elimine los restos de la solución de limpieza con un paño empapado con agua del grifo.
6. Sequelo el dispositivo con un paño desechable que no suelte pelusa.

4.3.2 Desinfección manual

1. Frote bien el dispositivo limpiador [4.3.1 Limpieza manual] con un paño desechable empapado con una solución desinfectante (p. ej. BBraun Melisepto[®] Rapid³) a base de alcohol, libre de aldehído y de alquilaminas, bactericida, virucida y fungicida aprobada conforme a la normativa local; utilice la solución conforme a las instrucciones de uso del fabricante.
2. Ponga especial atención en la limpieza de las juntas y las inserciones del dispositivo.
3. Después de 1 minuto elimine los restos de la solución desinfectante con un paño empapado con agua desionizada.

³ No es una marca comercial registrada de Dentsply Sirona, Inc.

4. Sequele el dispositivo con un paño desechable que no suelte pelusa.

Las pantallas protectoras SmartLite® Focus® Shields se pueden desinfectar hasta 100 veces.

4.3.3 Autoclavado (opcional)

Las pantallas SmartLite® Focus® Shields también se pueden esterilizar en autoclave.

1. Esterilice las pantallas SmartLite® Focus® Shields en autoclave de vapor a 134 °C/2 bar durante 3 minutos 30 segundos.

Las pantallas protectoras SmartLite® Focus® Shields se pueden desinfectar en autoclave hasta 60 veces.

5 Mantenimiento

5.1 Comprobación de la salida de la luz

1. Compruebe que la abertura del LED está limpia y sin arañazos; de otra manera se reduce la salida de la luz y ésta puede ser insuficiente para el curado adecuado del material.
2. Controle de manera periódica la intensidad lumínica del SmartLite® Focus® para asegurar un curado apropiado usando un radiómetro disponible en el mercado. Dado que los radiómetros difieren mucho recomendamos seguir el siguiente procedimiento.
3. Cuando reciba el SmartLite® Focus® compruebe la intensidad de la luz con el radiómetro que haya escogido y anote el valor. Esta lectura inicial es sólo un valor de referencia y es posible que no represente la intensidad actual de la luz.
4. Para las comprobaciones posteriores, repita el control de la intensidad de la luz con el mismo radiómetro usado al principio, y compare el valor con la intensidad de referencia.
5. Si el valor del radiómetro es inferior a la intensidad de referencia, puede verificar la eficiencia lumínica con el i•Cure. Coloque el i•Cure sobre una hoja de papel sobre una superficie plana. Seleccione el segmento de i•Cure según la altura de escalón requerida (tenga en cuenta que la altura de escalón debe ser el doble de la profundidad de curado a confirmar). Rellene con composite. Mantenga el SmartLite® Focus® cerca de la abertura superior y polimerice. Si el material en la abertura inferior se ha polimerizado (es decir, no puede rasparse con una espátula de plástico), la profundidad de curado conforme a ISO 4049:2009 es igual a la mitad de la altura de escalón seleccionada. Si la prueba con el i•Cure ha sido correcta, el SmartLite® Focus® está listo para usar.
6. No siga utilizando el SmartLite® Focus® si la salida de la luz es inferior a la intensidad de referencia y la prueba con el i•Cure no ha sido satisfactoria.

5.2 Batería 2

- La batería está equipada con tecnología de baja autodescarga, lo que se traduce en una larga operatividad.
- La batería está precargada y lista para su uso después de la compra. Si la batería se carga antes del primer uso se mejora el tiempo de operación inicial, pero no es obligatorio.
- Cuando el piloto de la batería parpadea en color **verde** 1.2, significa que la batería se está cargando. Una vez completada la recarga, la luz de la batería permanece siempre verde. La recarga completa de la batería requiere aproximadamente 3 horas. SmartLite® Focus® tiene un mecanismo de recarga inteligente. Dependiendo del estado de la batería, SmartLite® Focus® selecciona automáticamente entre el modo de recarga rápida automática (parpadeo rápido en verde) y el modo de recarga estándar (parpadeo en verde).

- El modo de recarga rápida automática de SmartLite® Focus® permite utilizar la lámpara durante al menos 5 minutos después de 10 minutos de recarga.
- Cuando el piloto de la batería parpadea en **amarillo (rápido)** **1.3** es necesario recargar la batería. Aproximadamente 1 minuto de polimerizado inmediatamente después de encenderse, para permitir terminar el trabajo. La intensidad de la luz no disminuye en este tiempo. Después, el dispositivo se apaga automáticamente y el piloto de la batería permanece constantemente **amarillo**, indicando que es necesario recargar la batería.
- Si fuera necesario cambiar el bloque de la batería **2**, introduzca con cuidado un destornillador en el orificio situado en la base de la pieza de mano. El destornillador sólo se necesita para desbloquear la batería; utilice los dedos para sacar la batería por completo como se muestra en la **Figura A4** y **Figura A5**. No use el destornillador a modo de palanca para no dañar la pieza de mano SmartLite® Focus®.

6 Información para pedidos, datos técnicos y términos de garantía

6.1 Accesorios

Accesorio	Referencia no.
Bloque de la batería SmartLite® Focus® 2	644.50.021
Fundas SmartLite® Sleeves 5	644.50.030
Pantalla protectora SmartLite® Focus® Shields 6	644.50.040
Conector de alimentación SmartLite® Focus® incl. adaptadores 4	644.50.050
SmartLite® Focus® Refill (lámpara de polimerización y bloque de la batería) 1	644.50.060
Base de carga SmartLite® Focus® 3	644.50.070
i•Cure	644.40.054

6.2 Número de serie

La pieza de mano y el bloque de la batería tienen diferentes números de serie. El número de serie de la pieza de mano se encuentra en su interior y se puede ver cuando se saca el bloque de la batería. El número de serie del bloque de la batería se encuentra en su superficie.

El número de serie **[SN]** debe indicarse en toda la correspondencia que requiera la identificación del producto.

Formato del número de serie de la base de carga SmartLite®:	SLXX	xxxxx
Formato del número de serie de la pieza de mano SmartLite® Focus®:	SFXX	xxxxx
Formato del número de serie del bloque de la batería SmartLite® Focus®:	SFBXX	xxxxx



6.3 Especificaciones y equipo incluido

Nota ambiental



Eliminación del dispositivo y de la batería:

Este dispositivo se suministra con una batería de níquel-metal-hidruro. Ni el dispositivo ni la batería deben desecharse como basura doméstica. Por razones ambientales, deseche el dispositivo y la batería siguiendo las normas o regulaciones ambientales locales.

Fuente de energía:	100 V...240 V / ~ 50 Hz...60 Hz
Entrada de energía:	Máxima 14 W
Tipo de equipo:	Equipo de clase II 
Seguir las instrucciones de uso:	
Protección contra la penetración de líquidos en la pieza de mano:	IPX4
Funcionamiento:	Temperatura ambiente: Entre 0 °C y +30 °C Humedad relativa: Entre 20% y 90%
Almacenamiento:	Temperatura ambiente: Entre -10 °C y +35 °C
Transporte:	Temperatura ambiente: Entre -10 °C y +50 °C
Funcionamiento de la batería:	<ul style="list-style-type: none"> • La tecnología de baja autodescarga se traduce en una larga operatividad. • La batería está precargada y lista para su uso después de la compra. • Tiempo para la recarga de la batería: aproximadamente 3 horas. • Modo de recarga rápida automática: permite utilizar la lámpara durante al menos 5 minutos después de 10 minutos de recarga.
Protección de sobrecarga/calentamiento de la batería:	Fusibles reemplazables
Lámpara de diodos:	3 W LED
Intensidad media de la luz:	Aproximadamente 1000 mW/cm ² (CureRite™)
Rango de longitud de onda emitido:	Entre 460 nm y 490 nm (intensidad máxima más o menos 475 nm)
Dimensiones de la pieza de mano:	Longitud: 240 mm Anchura: 31 mm
Peso de la unidad:	Pieza de mano con el bloque de la batería: 90 gramos Base de carga con el conector de alimentación: 200 gramos

Cumple con las siguientes Directivas/Standards:

93/42/CEE	Directiva 93/42/CEE del Consejo del 14 de junio de 1993 relativa a los productos sanitarios modificada por la directiva 2007/47/CE, anexo 1
2002/95/CE	Restricción del uso de sustancias peligrosas en aparatos eléctricos y electrónicos
IEC 60601-1	2005 – Aparatos electromédicos (requisitos generales de seguridad básica y funcionamiento esencial)

IEC 60601-1-2	2005 – Aparatos electromédicos – Parte 1-2: Requisitos generales de seguridad básica y funcionamiento esencial – Norma colateral: Compatibilidad electromagnética – Requisitos y ensayos
ISO 10650	2015 – Odontología – Activadores de polimerización accionados
EN 62471	2008 – Seguridad fotobiológica de lámparas y de los aparatos que utilizan lámparas
IEC 62471	2006 – Seguridad fotobiológica de lámparas y de los aparatos que utilizan lámparas

La lámpara de polimerización del SmartLite® Focus® cumple con:



6.4 Condiciones de garantía

Dentsply Sirona garantiza la garantía de todos los componentes de la lámpara durante dos años, salvo para la batería que la garantía será de un año. La garantía comienza a partir de la fecha de compra. Durante el período de garantía Dentsply Sirona eliminará sin cargo cualquier posible defecto de funcionamiento que surja como resultado de fallos en el material o envíos por reparación o intercambio de piezas o intercambio de la unidad completa, según decisión de Dentsply Sirona.

No está cubierto por esta garantía: Daño por un uso inadecuado (operación con voltaje incorrecto, rotura, limpieza por otros métodos distintos de los recomendados), y defectos que tengan un efecto sobre el valor o funcionamiento de la unidad.

La garantía quedará sin efecto si se repara o trata de reparar por personas no autorizadas.

Esta garantía se extiende a varios países donde esta lámpara se suministre por Dentsply Sirona o sus distribuidores y donde no haya restricciones de importación o normas legales que impidan o prevengan el suministro del servicio en garantía.

El servicio en garantía no afecta la fecha límite de la misma. La garantía sobre las partes o la unidad entera que se intercambien, finalizan cuando lo hace la garantía del aparato original.

En caso de reclamación de esta unidad, envíe el aparato completo (unidad de carga y lámpara de polimerizar) junto con una tarjeta de garantía válida a su distribuidor o al Centro Dentsply Sirona más próximo.

Cualquier otra reclamación, incluyendo las del daño resultante de la aplicación de esta garantía se excluye, a menos que exista una obligación legal.

SmartLite® Focus®

Светодиодная лампа в форме ручки

ПРЕДОСТЕРЕЖЕНИЕ: Применяется исключительно в стоматологии.

Содержание	Страница
1 Описание продукта.....	57
2 указания по безопасности.....	59
3 Пошаговая инструкция к применению.....	61
4 Гигиена.....	62
5 Уход.....	64
6 Техническая информация, период гарантии.....	65

1 Описание продукта

SmartLite® Focus® это светодиодная полимеризационная лампа без проводов, в форме ручки, предназначенная для использования в стоматологии.

Полимеризационная **SmartLite® Focus®** обладает следующими характеристиками:

- Небольшой размер и вес, эргономичный дизайн.
- Компактная беспроводная конструкция с удобными держателями и сменная аккумуляторная батарея.
- Интеллектуальный механизм зарядки аккумулятора с практически постоянной готовностью света.
- Индивидуально регулируемый светодиодный наконечник, вращающийся на 330°.
- Конструкция светодиодного наконечника обеспечивает прекрасный доступ в полость рта.
- Область полимеризации (оптически эффективная площадь поперечного сечения) составляет не менее 7,5 мм в диаметре.
- Время отверждения до 20 секунд за одну активацию с подачей звукового сигнала каждые 10 секунд.
- Усовершенствованная система контроля теплоотдачи ограничивает температуру светодиодного наконечника.

1.1 Полимеризационная лампа SmartLite® Focus® 1 – общее описание

1.1.1 Клавиша ВКЛ/ВЫКЛ (ON/OFF) 1.1

- Начало или прерывание 20-секундного цикла отверждения.

1.1.2 Световая индикация на батарее

- **Постоянный зеленый** 1.2 (появляется только тогда, когда полимеризационная лампа SmartLite® Focus® установлена в зарядном устройстве 3): полимеризационная лампа SmartLite® Focus® полностью заряжена.
- **Мигающий зеленый** 1.2 (появляется только тогда, когда полимеризационная лампа SmartLite® Focus® установлена в зарядном устройстве 3): SmartLite® Focus® находится в стандартном режиме зарядки.
- **Быстро мигающий зеленый** 1.2 (появляется только тогда, когда полимеризационная лампа SmartLite® Focus® установлена в зарядном устройстве 3): SmartLite® Focus® находится в автоматическом режиме быстрой зарядки.
- **Желтый мигающий индикатор** 1.3: лампа SmartLite® Focus® почти полностью разряжена и требует подзарядки. В первом случае осталась приблизительно 1 минута до завершения цикла фотополимеризации.
- **Постоянный желтый** 1.3: полимеризационная лампа SmartLite® Focus® полностью разряжена (заряд недостаточен даже для одного цикла светополимеризации) и нуждается в зарядке.

1.1.3 Звуковые сигналы

- **Один звуковой сигнал:** В процессе фотополимеризации через 10 секунд цикла засвечивания одновременно с мигающим синим светодиодом, а также когда SmartLite® Focus® фотополимеризатор полностью заряжен.
- **Два сигнала:** через 20 секунд полимеризации. Полимеризационная лампа автоматически выключается через 20 секунд.
- **Повторяющийся через каждые 7 секунд короткий сигнал, сопровождающийся мигающим желтым сигналом индикации батареи:** возникает только при выключении устройства. В первом случае – осталось приблизительно 1 минута до завершения процесса фотополимеризации. Устройство требует подзарядки.
- **Один длинный звуковой сигнал одновременно с постоянно горящим желтым индикатором батареи:** возникает только при выключении устройства. Устройство полностью разряжено и требует подзарядки.

1.2 Показания к применению

- Светоотверждение стоматологических материалов, полимеризующихся под действием света с длиной волны 460-490 нм.

1.3 Противопоказания

- Использование у пациентов, имеющих склонность к фотобиологическим реакциям (в том числе у пациентов, с аллергией на солнечный свет (Urticaria solaris) или эритропоэтической протопорфирией) или у тех, кто параллельно проходит курс лечения фоточувствительными медикаментами.

2 Указания по безопасности

Следует сознательно выполнять приведенные ниже указания по общей безопасности и специальные указания по безопасности, приведенные в других главах данной Инструкции к применению.



Обозначение опасности.

- Это символ, обозначающий опасность. Он используется, чтобы предупредить вас о потенциальных рисках для здоровья.
- Следуйте всем сообщениям по безопасности, отмеченным данным символом, во избежание причинения вреда здоровью.

2.1 Предостережения

Никогда не изменяйте конструкцию SmartLite® Focus® или любых его частей. Любое изменение может негативно повлиять на безопасность и эффективность.

2.1.1 Наконечник SmartLite® Focus® 1

- Во избежание случайной аспирации всегда следите за тем, чтобы экраны SmartLite® Focus® 6 были надежно зафиксированы на SmartLite® Focus® (плотно вдавите экран SmartLite® Focus® в нужном положении; подробнее см. в разделе Процедура D).
- Всегда следите за тем, чтобы апертура световода не была закрыта экранами SmartLite® Focus® (см. рис. D3 и рис. D4).
- Не пытайтесь снять светодиод на наконечника, поскольку конструкция не предусматривает такой возможности.
- Светодиодный наконечник вращается на 330°. Не пытайтесь вращать светодиодный наконечник по всему диапазону.
- Не используйте устройство в качестве ретрактора ткани, поскольку это может нарушить контакт между светодиодом и наконечником.
- Не используйте поврежденное устройство, например, если на стеклянной крышке светодиода имеются царапины, повреждения или крышка отсутствует.
- Экраны SmartLite® Focus® со временем изнашиваются. Замените дефектный экран на запасной, включенный в комплект поставки с данным прибором или закажите его отдельно (см. также [6.1 Аксессуары]).
- Ремонт наконечника или блока аккумуляторной батареи должен выполнять только уполномоченный технический специалист.

2.1.2 Зарядное устройство 3

- В зарядном основании присутствуют низкие напряжения (12 В пост. тока). Не открывайте зарядное устройство, когда оно подключено к источнику питания. Используйте устройство только в сухих условиях. Не используйте влажное зарядное устройство. Не допускайте короткого замыкания между контактными штырьками в зарядном основании. Ремонт зарядного устройства должен выполнять только уполномоченный технический специалист.
- Не используйте напряжение, отличающееся от диапазона значений, указанных на зарядном устройстве.
- Примечание: сначала отсоедините шнур электропитания 4 от розетки электропитания, затем отсоедините разъем питания от зарядного устройства.
- Всегда убирайте зарядное устройство от стоматологической установки и прикасайтесь к нему в чистых/дезинфицированных перчатках во избежание попадания на него брызг биологических жидкостей.
- Перед установкой наконечника в зарядное устройство всегда следите за тем, чтобы он был полностью обработан.

2.1.3 Блок аккумуляторов 2



Не допускайте короткого замыкания блока аккумуляторов во время использования и хранения.

2.2 Меры предосторожности

Этот продукт предназначен для использования в строгом соответствии с Инструкцией к применению.

Использование данного продукта любым способом, не соответствующим указанному в данной Инструкции, является личным решением практикующего врача, ответственность за которое несет исключительно он сам.

- Тот, кто имеет в анамнезе ретинопатию, должен проконсультироваться со своим окулистом перед тем, как начать эксплуатировать прибор. Использовать ФЭД полимеризующий прибор SmartLite® Focus® следует чрезвычайно осторожно, соблюдая все необходимые меры предосторожности (в том числе, одевать соответствующие защитные фильтрующие свет очки).
- Тот, кто перенес операцию по устранению катаракты, может быть особенно чувствительным к свету, и должен возражать против лечения с использованием ФЭД полимеризующего прибора SmartLite® Focus®, пока не будут предприняты адекватные меры безопасности, в частности, надевание соответствующих, фильтрующих свет, очков.
- Не используйте полимеризационную лампу SmartLite® Focus®, которая не была надлежащим образом обработана. Защищайте полимеризационную лампу SmartLite® Focus® от сильного загрязнения, надевая на нее одноразовые рукава SmartLite®. Рукава SmartLite® предназначены только для однократного применения. После использования они должны быть утилизированы. Чтобы избежать перекрестной контаминации, не используйте рукава повторно для других пациентов.
- Должны соблюдаться специальные меры предосторожности для электрических медицинских устройств¹. Не используйте мобильные телефоны и другие портативные устройства связи, поскольку они могут создавать помехи в работе полимеризационной лампы SmartLite® Focus®.
- Никогда не направляйте прямой свет на незащищенные мягкие ткани, поскольку это может привести к травме или раздражению. Не направляйте свет лампы в глаза. Свет, отражаемый от поверхности зуба, также может причинить вред глазам. Используйте экраны SmartLite® Focus®, поставляемые с устройством, или пригодные защитные очки с фильтрацией светового излучения².
- Ограничивайте действие света на обрабатываемую область.
- Все стоматологические полимеризационные лампы в определенной степени вырабатывают тепло. Длительная работа в областях, прилегающих к пульпе и мягким тканям, может привести к тяжелому повреждению. Не выполняйте отверждение одной и той же поверхности зуба более 20 секунд подряд. При необходимости выполняйте полимеризацию с перерывами и интервалами по 20 секунд каждый.
- Использование принадлежностей, не указанных в данной инструкции по применению, может привести к повышенному излучению или снижению безопасности устройства SmartLite® Focus® и его компонентов.
- Не используйте устройство вблизи другого оборудования и не устанавливайте его на другие приборы. Если это всё же необходимо, внимательно наблюдайте за устройством SmartLite® Focus® и его компонентами, чтобы убедиться в его нормальном функционировании при таком расположении.

¹ Техническую информацию (электромагнитные излучения и электромагнитная помехоустойчивость) см. на веб-сайте www.dentsply.eu – глава IFU/MSDS

² SmartLite® Focus® относится к устройствам группы риска 2 согласно EN 62471.

3 Пошаговая инструкция к применению

3.1 Монтаж и зарядка (Процедура А и Процедура В)

1. Снимите торцевую панель 3.1 зарядного устройства, подняв ее с задней стороны (см. рис. В2).
2. Подсоедините разъем 4.1 к гнезду зарядного устройства 3.2 (см. рис. В3).
3. Закройте торцевую панель (см. рис. В4) и вставьте вилку в розетку электропитания 4 .
4. Убедитесь в беспрепятственной доступности розетки электропитания на случай экстренного отсоединения шнура электропитания.
5. Вставьте блок аккумуляторной батареи 2 в наконечник SmartLite® Focus® 1 (см. рис. А2 и рис. А3).
Перед отправкой потребителю блок аккумуляторной батареи SmartLite® Focus® предварительно заряжен и готов к использованию.
6. Для подзарядки батареи установите наконечник 1 в зарядное устройство 3 (см. рис. В5). Сигнальная лампа батареи будет мигать зеленым светом, указывая на то, что батарея заряжается.

Автоматический режим быстрой зарядки SmartLite® Focus® позволяет устройству работать 5 минут после 10 минут зарядки.

3.2 Применение

1. Защитите светодиод от сильных загрязнений, надевая на него одноразовые рукава SmartLite® (см. Процедура С).
2. Используйте экраны SmartLite® Focus®, поставляемые с устройством, в комбинации с установленными рукавами SmartLite® или используйте пригодные защитные очки со светофильтрами (см. Процедура D). Во избежание случайной аспирации всегда следите за тем, чтобы экраны SmartLite® Focus® были надежно зафиксированы на SmartLite® Focus® (плотно вдавите экран SmartLite® Focus® в нужном положении). Всегда следите за тем, чтобы экраны SmartLite® Focus® были правильно установлены на SmartLite® Focus® и не закрывали световую апертуру (см. рис. D3 и рис. D4).
3. Регулировка светодиодного наконечника: Светодиодный наконечник поворачивается на 330°, поэтому положение испускания света можно регулировать. Светодиодный наконечник должен установлен под углом, который обеспечивает оптимальную полимеризацию реставрации. Светодиодный наконечник следует располагать **как можно ближе к реставрации**.
4. Полимеризация: Нажмите на кнопку ВКЛ/ВЫКЛ, не удерживая ее [1.1.1 Кнопка ВКЛ/ВЫКЛ]. Звуковые сигналы, сопровождающие работу устройства, описаны в разделе [1.1.3 Звуковые сигналы].
5. Чтобы остановить работу полимеризационной лампы до окончания 20-секундного цикла, в любой момент времени нажмите кнопку ВКЛ/ВЫКЛ. Для полимеризации реставрационного материала, требующей более 20 секунд, повторно активируйте устройство нажатием кнопки ВКЛ/ВЫКЛ после окончания каждого 20-секундного цикла полимеризации (см. также [2.2 Меры предосторожности]).
6. Время отверждения для диапазона линейки материалов Dentsply Sirona указано в предоставленном руководстве по полимеризации. При использовании других продуктов см. соответствующие инструкции по применению продукта.

4 Гигиена

4.1 Рукава SmartLite® 5

Использование рукавов SmartLite® (см. Процедура С) является обязательной мерой предосторожности против сильного загрязнения, однако это не заменяет процедуру обработки полимеризационной лампы SmartLite® Focus®.

1. Сразу после использования снимите рукава SmartLite® (см. рис. С5).



Перекрестное заражение.

Инфекция.

1. Рукава SmartLite® предназначены только для однократного применения. Чтобы избежать перекрестной контаминации, не используйте рукава повторно.
2. Утилизируйте согласно принятому протоколу.

4.2 Наконечник SmartLite® Focus® 1



Короткое замыкание или опасные технические проблемы.

Повреждение электрическим током.

1. Защищайте наконечник от попадания жидкостей внутрь во время очистки и дезинфекции.
2. Не пытайтесь снять светодиод с наконечника, поскольку конструкция не предусматривает такой возможности.



Перекрестное заражение.

Инфекция.

1. Перед установкой наконечника в зарядное устройство всегда следите за тем, чтобы он был полностью обработан.

ВНИМАНИЕ!

Неправильная очистка или метод дезинфекции.

Меры предосторожности в отношении полимеризационной лампы SmartLite® Focus®.

1. Не погружайте устройство в жидкости.
2. Не используйте для чистки и дезинфекции растворы на основе апельсинового масла, ацетона или перекиси водорода. Не используйте следующие продукты: Optim 33 TB, CaviCide1.
3. Не рекомендуется вынимать блок аккумуляторной батареи для регулярной очистки и дезинфекции.
4. Начните обработку в течение 1 часа после использования.

4.2.1 Ручная очистка

1. Сразу после использования осторожно снимите рукав без контаминации устройства и утилизируйте рукав в соответствии с местными нормативными требованиями.
2. Утилизируйте перчатки согласно местным нормативам и дезинфицируйте руки соответствующим дезинфицирующим раствором для рук с бактерицидным, вирусцидным и фунгицидным действием согласно местным нормативам и следуйте инструкции по применению дезинфицирующего раствора производителя.

3. Используйте новую чистую пару смотровых перчаток.
4. Очистите устройство соответствующим бесфосфатным чистящим раствором с нейтральным значением pH, (например, Dr. Schumacher Instru Plus [3%]³) согласно местным нормативам и указаниям, приведённым в инструкции производителя.
5. Удалите остатки чистящего раствора влажной салфеткой. Используйте водопроводную воду для смачивания салфетки.
6. Вытрите устройство неворсящейся одноразовой салфеткой.
7. Обратите особое внимание на швы прибора и вставки.

4.2.2 Ручная дезинфекция

1. Тщательно протрите очищенное устройство [4.2.1 Ручная очистка] одноразовой салфеткой, увлажнённой в дезинфицирующем (например, B Braun Meliseptol® Rapid³) спиртовом растворе без альдегидов и алкиламинов с бактерицидным, вирусцидным и фунгицидным действием, разрешённым к применению согласно местным нормативам, следуя указаниям производителя. Обратите внимание на пункт [4.2], где описаны неправильные методы очистки и дезинфекции.
2. Обратите особое внимание на швы прибора и вставки.
3. Через 1 минуту удалите остатки дезинфицирующего раствора влажной салфеткой. Используйте деионизированную воду для смачивания салфетки.
4. Вытрите устройство неворсящейся одноразовой салфеткой.
5. Обратите особое внимание на швы прибора и вставки.

Устройство выдерживает до 6000 дезинфекций.

4.3 Экраны SmartLite® Focus® 6

ВНИМАНИЕ!

Неправильная очистка или метод дезинфекции.

Меры предосторожности в отношении экранов SmartLite® Focus®.

1. Не очищайте или не дезинфицируйте высокоагрессивными средствами (например, растворами на основе апельсинового масла или ацетона).
2. Начните обработку в течение 1 часа после использования.

4.3.1 Ручная очистка

1. Утилизируйте перчатки согласно местным нормативам и дезинфицируйте руки соответствующим дезинфицирующим раствором для рук с бактерицидным, вирусцидным и фунгицидным действием согласно местным нормативам и следуйте инструкции по применению дезинфицирующего раствора производителя.
2. Используйте новую чистую пару смотровых перчаток.
3. Очистите устройство соответствующим чистящим раствором с нейтральным значением pH (например, Dr. Schumacher Instru Plus [3%]³) согласно местным нормативам и указаниям, приведённым в инструкции производителя.
4. Обратите особое внимание на швы прибора и вставки.
5. Удалите остатки очищающего раствора салфеткой, смоченной в водопроводную воду.
6. Вытрите устройство неворсящейся одноразовой салфеткой.

4.3.2 Ручная дезинфекция

1. Тщательно протрите очищенное устройство [4.3.1 Ручная очистка] одноразовой салфеткой, смоченной в дезинфицирующем (например, B Braun Meliseptol® Rapid³) спиртовом растворе без альдегидов и алкиламинов для инструментов с бактерицидным, вирусцидным и фунгицидным действием, разрешённым к применению согласно местным нормативам, согласно указаниям производителя.

³ Не является зарегистрированным товарным знаком Dentsply Sirona, Inc.

2. Обратите особое внимание на швы прибора и вставки.
3. Через 1 минуту удалите остатки дезинфицирующего раствора салфеткой, смоченной деионизированной водой.
4. Вытрите устройство неворсящейся одноразовой салфеткой.

Экраны SmartLite® Focus® выдерживают до 100 дезинфекций.

4.3.3 Автоклавирование (необязательно)

Экраны SmartLite® Focus® также могут автоклавироваться.

1. Автоклавируйте экраны SmartLite® Focus® Shields при температуре 134 °C/2 бар в течение 3 минут 30 секунд.

Экраны SmartLite® Focus® Shields могут автоклавироваться до 60 раз.

5 Уход

5.1 Контроль мощности исходящего светового пучка

1. Убедитесь, что отверстие светодиода чистое и без царапин; в противном случае мощность исходящего светового пучка будет снижена, и её может оказаться недостаточно для правильной полимеризации материала.
2. Интенсивность света SmartLite® Focus® следует периодически проверять с помощью предлагаемого в продаже радиометра, чтобы обеспечить правильную полимеризацию. Так как радиометры имеют существенные различия, рекомендуется следующая процедура.
3. После получения SmartLite® Focus® проверьте интенсивность света выбранным радиометром и запишите результат. Это первоначальное показание носит лишь справочный характер и может не отражать фактическую интенсивность света.
4. Для последующего контроля проведите повторное тестирование интенсивности света тем же радиометром, который использовался для первоначальной проверки, и сравните результат со справочным значением.
5. Если показание радиометра падает ниже справочного значения, то светоотдачу можно проверить с помощью i•Cure. Разместите i•Cure на листе бумаги на ровной поверхности. Выберите сегмент i•Cure в соответствии с требуемой высотой шага (обратите внимание, что высота шага должна быть в два раза больше глубины полимеризации, которую необходимо подтвердить). Заполните композитом. Держа SmartLite® Focus® вблизи верхнего отверстия, выполните полимеризацию. Если материал на нижнем отверстии полимеризован (т.е. его нельзя соскрести пластиковым шпательем), значит глубина полимеризации согласно ISO 4049:2009 равна половине выбранной высоты шага. Если тест с помощью i•Cure пройден успешно, SmartLite® Focus® готов к работе.
6. Прекратите использование SmartLite® Focus®, если мощность исходящего светового пучка ниже справочного значения интенсивности и тест с помощью i•Cure не пройден.

5.2 Аккумуляторы **2**

- Батареи выполнены по технологии низкой саморазрядки, обеспечивающей длительный срок службы.
- Перед поставкой батареи предварительно заряжены и готовы к использованию. Зарядка перед первым использованием может улучшить начальное время работы, однако она не является обязательной.
- Мигание **зеленого** **1.2** индикатора батареи означает, что батарея заряжается. После завершения зарядки индикатор батареи будет постоянно гореть зеленым светом. Для полной зарядки батареи требуется примерно 3 часа. Устройство SmartLite® Focus® снабжено функцией интеллектуальной подза-

- рядки. В зависимости от состояния заряда аккумулятора SmartLite® Focus® сам выбирает автоматический режим быстрой зарядки (зелёный индикатор быстро мигает) или стандартный режим зарядки (зелёный индикатор мигает).
- Автоматический режим быстрой зарядки SmartLite® Focus® позволяет устройству работать минимум 5 минут после 10 минут зарядки.
 - Когда индикатор батареи мигает **желтым светом (быстро)** **1.3**, это означает, что батарее требуется подзарядка. В первом случае осталась приблизительно 1 минута до завершения процесса фотополимеризации. В этот период светоотдача не уменьшается. После этого периода устройство автоматически выключается и индикатор батареи постоянно горит **желтым светом**, указывая на то, что требуется подзарядка.
 - При необходимости замены блока батареи **2** осторожно вставьте отвертку в отверстие в нижней части наконечника. Отвертка требуется лишь для деблокировки блока аккумуляторной батареи. Полностью снимите блок батареи пальцами, как показано на **рис. A4** и **рис. A5**. Во избежание повреждений рукоятки SmartLite® Focus® не используйте отвертку в качестве рычага.

6 Техническая информация, период гарантии

6.1 Аксессуары (принадлежности)

Аксессуары

	Номер заказа
Блок аккумуляторной батареи SmartLite® Focus® 2	644.50.021
Рукава SmartLite® 5	644.50.030
Экраны SmartLite® Focus® 6	644.50.040
Разъем питания SmartLite® Focus®, вкл. переходники 4	644.50.050
Запасной комплект SmartLite® Focus® (светоотверждающая лампа и блок батареи) 1	644.50.060
Зарядное устройство SmartLite® Focus® 3	644.50.070
iCure	644.40.054

6.2 Номер партии (серии)

Наконечник и блок батареи имеют разные серийные номера. Серийный номер наконечника указан внутри устройства, под крышкой блока аккумуляторной батареи. Серийный номер аккумуляторной батареи указан на батарее.

Номер серии **[SN]** должен быть проведен во всем соответствии с требованиями, предъявляемыми к продукту.

Формат серийного номера зарядного устройства SmartLite®: SLXX xxxxx

Формат серийного номера наконечника SmartLite® Focus®: SFXX xxxxx

Формат серийного номера аккумуляторной батареи SmartLite® Focus®: SFBXX xxxxx

6.3 Спецификации и классификация оборудования



Экологическая характеристика



Утилизация устройства и батарей:

Данное устройство поставляется с никель-металл-гидридной батареей. Устройство и батарея не должны утилизироваться с бытовыми отходами. С целью защиты окружающей среды, пожалуйста, утилизируйте устройство и батарею в соответствии с местными руководствами и нормативными требованиями по защите окружающей среды.

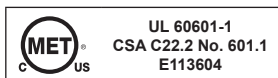


Источник переменного тока:	100 V...240 V / ~ 50 Hz...60 Hz
Мощность:	Максимальная 14 Вт
Класс оборудования:	Оборудование II класса 
Следуйте инструкции по использованию:	
Защита от попадания жидкостей в наконечник:	IPX4
Использование:	Температура окружающей среды: от 0 °C до +30 °C Относительная влажность: от 20% до 90%
Хранение:	Температура окружающей среды: от -10 °C до +35 °C
Транспортировка:	Температура окружающей среды: от -10 °C до +50 °C
Характеристика аккумулятора:	<ul style="list-style-type: none"> • Технология низкой саморазрядки обеспечивает длительный срок службы. • Перед поставкой батареи предварительно заряжены и готовы к использованию. • Время до подзарядки батареи: примерно 3 часа. • Автоматический режим быстрой зарядки: позволяет зарядить устройство не менее чем на 5 минут работы после 10-минутной зарядки.
Защита от скачков напряжения/температуры:	Предохранитель
Светоиспускающий диод:	3 W LED
Средняя интенсивность светового пучка:	Приблизительно 1000 мВатт/см ² (CureRite™)
Длина волны испускаемого света:	От 460 нм до 490 нм (Максимальная интенсивность при длине волны 475 нм)
Размеры наконечника:	Длина: 240 мм Ширина: 31 мм
Масса устройства:	Наконечник с блоком батареи: 90 г. Зарядное устройство с разъемом электропитания: 200 г.

Соответствует следующим Директивам и Стандартам:

93/42/EEC	Директива Совета ЕС 93/42/EEC от 14 июня 1993 г. об устройствах медицинского назначения с поправкой в директиве 2007/47/EC, приложение 1
2002/95/EC	Ограничение использования опасных веществ в электрическом и электронном оборудовании
IEC 60601-1	2005 – Медицинское электрическое оборудование (Общие требования к безопасности и производительности)
IEC 60601-1-2	2005 – Медицинское электрическое оборудование – Часть 1-2: Общие требования к безопасности и производительности – дополнительный стандарт: Электромагнитная совместимость. Требования и испытания.
ISO 10650	2015 – Стоматология - Электрические активаторы для полимеризации
EN 62471	2008 – Фотобиологическая безопасность ламп и ламповых систем
IEC 62471	2006 – Фотобиологическая безопасность ламп и ламповых систем

Фотополимеризатор SmartLite® Focus® отвечает требованиям:



6.4 Гарантийные Сроки

Фирма Dentsply Sirona предоставляет 2-летнюю гарантию на все части прибора SmartLite® Focus®, кроме аккумулятора. На аккумулятор предоставляется гарантия 1 год. Гарантийный срок отсчитывается от даты покупки прибора. В течение гарантийного срока фирма Dentsply Sirona обеспечивает устранение любых дефектов электроприбора вследствие дефектов материалов или процесса производства либо за счет ремонта или замены частей либо за счет замены всего прибора – решение находится в ведении фирмы Dentsply Sirona.

Гарантийные обязательства не распространяются на следующие случаи: Неправильное использование прибора (подсоединение к сети с несоответствующим напряжением, неисправная розетка, механическая поломка, очистка способом, не соответствующим указанному в Инструкции к применению), нормальный износ и дефекты, не оказывающие существенного влияния на ценность и использование электроприбора.

Гарантийные обязательства снимаются, если прибор ремонтируется нелицензированным техническим персоналом.

Гарантийные обязательства действуют в любой стране, куда фирма Dentsply Sirona или ее дистрибьюторы поставляют прибор, и где нет ограничений или юридических нормативов, препятствующих или предотвращающих предоставлению обслуживания по гарантийным обязательствам.

Гарантийное обслуживание не влияет на сроки окончания действия гарантийных обязательств. Гарантийные обязательства на части прибора или весь прибор, если их пришлось заменить, заканчиваются, когда гарантийный срок на прибор исчерпан.

В случае появления рекламаций на этот прибор, следует вернуть весь прибор (зарядное устройство и ФЭД полимеризующий прибор) вместе со счетом-фактурой Вашего дилера или переслать их в ближайший сервисный центр фирмы Dentsply Sirona.

Все другие рекламации, включая повреждения, указанные в гарантийных обязательствах, исключаются, пока наша ответственность за них не будет доказана в юридическом порядке.

© Dentsply Sirona 2017-02-03

If you have any questions, please
contact

Für Rückfragen stehen wir Ihnen gerne
zur Verfügung

Pour plus de renseignements, veuillez
contacter

Per qualsiasi ulteriore informazione,
contattare

Si tiene alguna pregunta, por favor
contacte con

Если у Вас есть вопросы,
пожалуйста, обращайтесь

Scientific Service:

Dentsply DeTrey GmbH

Phone: +49 (0)7531 583-350

service-konstanz@dentsplysirona.com



Manufactured by
Dentsply DeTrey GmbH
De-Trey-Str. 1
78467 Konstanz
GERMANY



Distributed in U.S.A by

Dentsply Caulk
38 West Clarke Avenue
Milford, DE 19963, USA

www.dentsplysirona.com